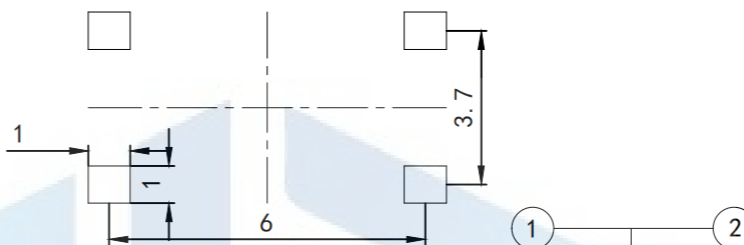
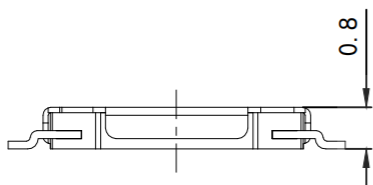
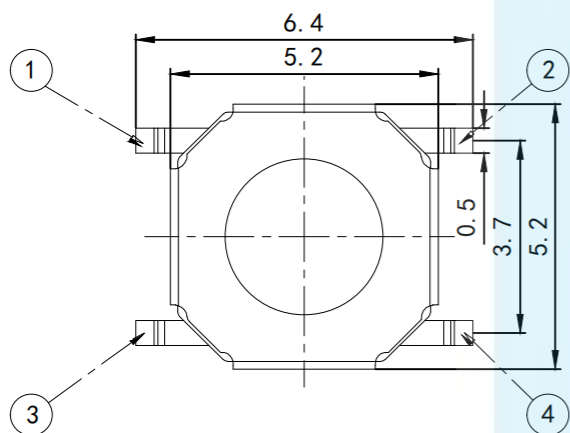
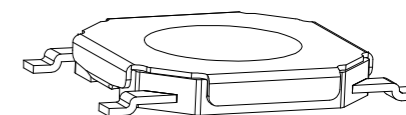


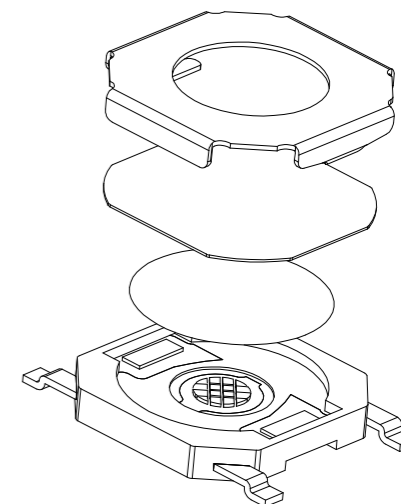
RoHS2.0  
Compliant



P. C. B焊接图



电路图



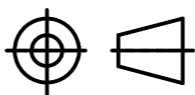
Main technical specification

1. Rating: 50mA DC12V
2. Contact resistance:  $\leq 100\text{m}\Omega$
3. Operating force:  $250 \pm 40\text{gf}$
4. Stroke:  $0.25 \pm 0.1\text{mm}$
5. Insulation resistance:  $\geq 100\text{m}\Omega$
6. Life: 3000 Cycles

TOLERANCE

X. XXX	$\pm 0.05$
X. XX	$\pm 0.15$
X. X	$\pm 0.20$
X.	$\pm 0.30$
ANGLE	$\pm 5.0^\circ$

PROTECTON



东莞市恒祺电子科技有限公司

Dongguan Hengqi Electronic Technology Co., Ltd

<https://www.hq-dz.com>

phone: 15812872448

TITLE:

薄膜轻触开关 4脚贴片平盖

PART NO: HQ-TS-C004

DRAWING NO: 5.2\*5.2\*0.8

DRAWN:

DATE:

18-10-08

UNIT:  
mm

CHECKED:

DATE:

18-10-08

SCALE:  
FULL

APPROVED:

DATE:

18-10-08

SIZE:  
A4