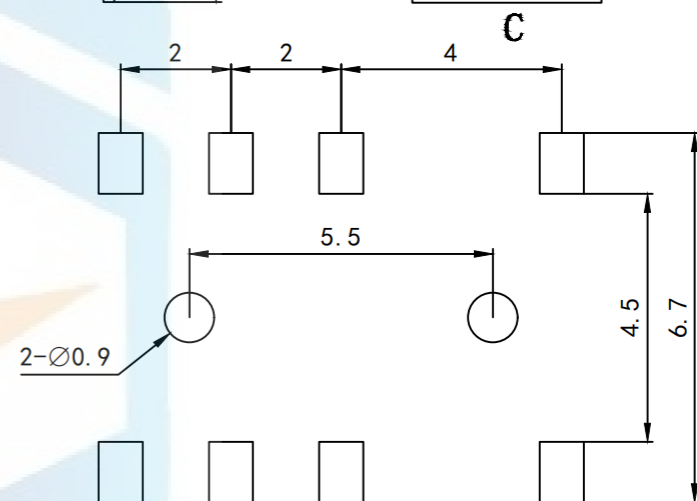
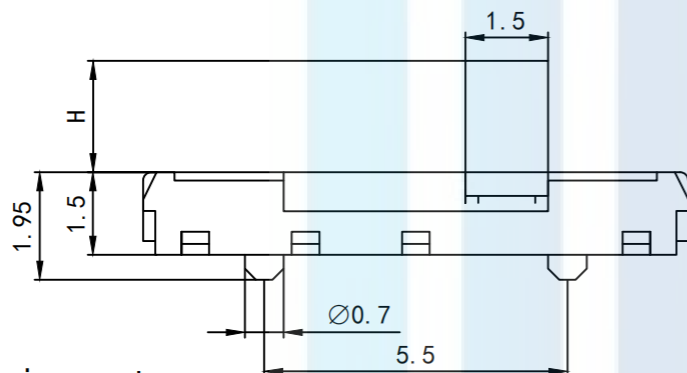
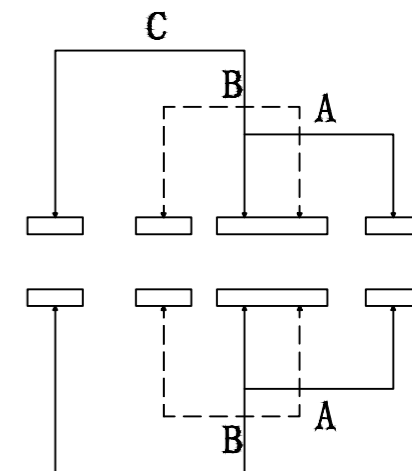
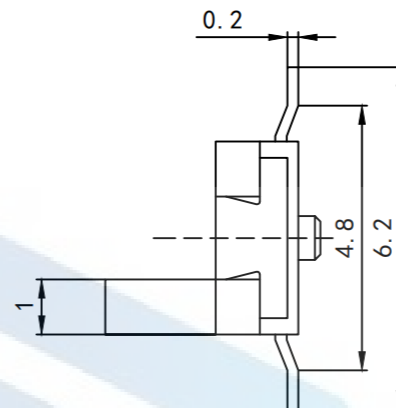
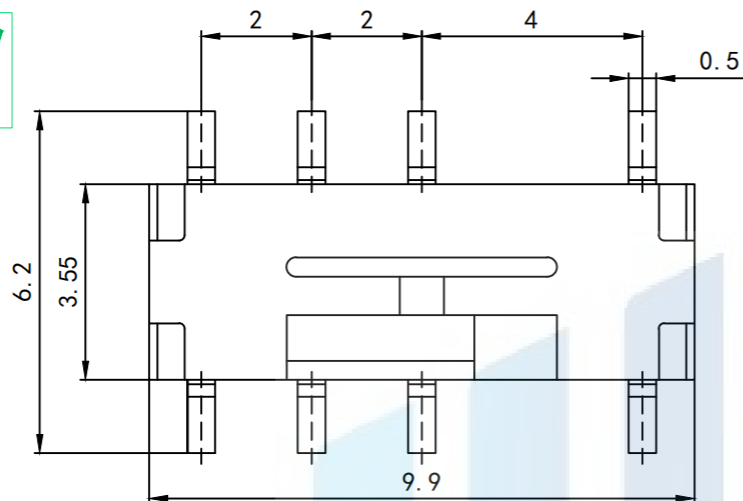


RoHS2.0  
Compliant ✓

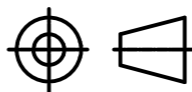


Technical requirements:  
 Rated electrical load: DC12V 0.1A  
 Insulation Resistance:  $\geq 100M\Omega$   
 Compressive Strength: AC250V (50Hz) 1min  
 Ambient Temperature:  $-25^{\circ}C \sim +70^{\circ}C$   
 Relative humidity: ( $40^{\circ}C$ )  $\leq 95\%$   
 Contact Resistance:  $\leq 50M\Omega$   
 Actuation:  $170gf \pm 20gf$   
 Temperature Resistance:  $250^{\circ}$   
 Life span: 10000 times

TOLERANCE

X. XXX	$\pm 0.05$
X. XX	$\pm 0.15$
X. X	$\pm 0.20$
X.	$\pm 0.30$
ANGLE	$\pm 5.0^{\circ}$

PROTECTON



东莞市恒祺电子科技有限公司  
 Dongguan Hengqi Electronic Technology Co., Ltd

<https://www.hq-dz.com>

phone: 15812872448

TITLE:

迷你拨动开关  
 立贴小8脚

PART NO: MSS-23C02

DRAWING NO: 9.9\*3.5\*1.5\*H

DRAWN:

CHECKED:

APPROVED:

DATE:

DATE:

DATE:

18-10-08

18-10-08

18-10-08

UNIT:  
mm

SCALE:  
FULL

SIZE:  
A4