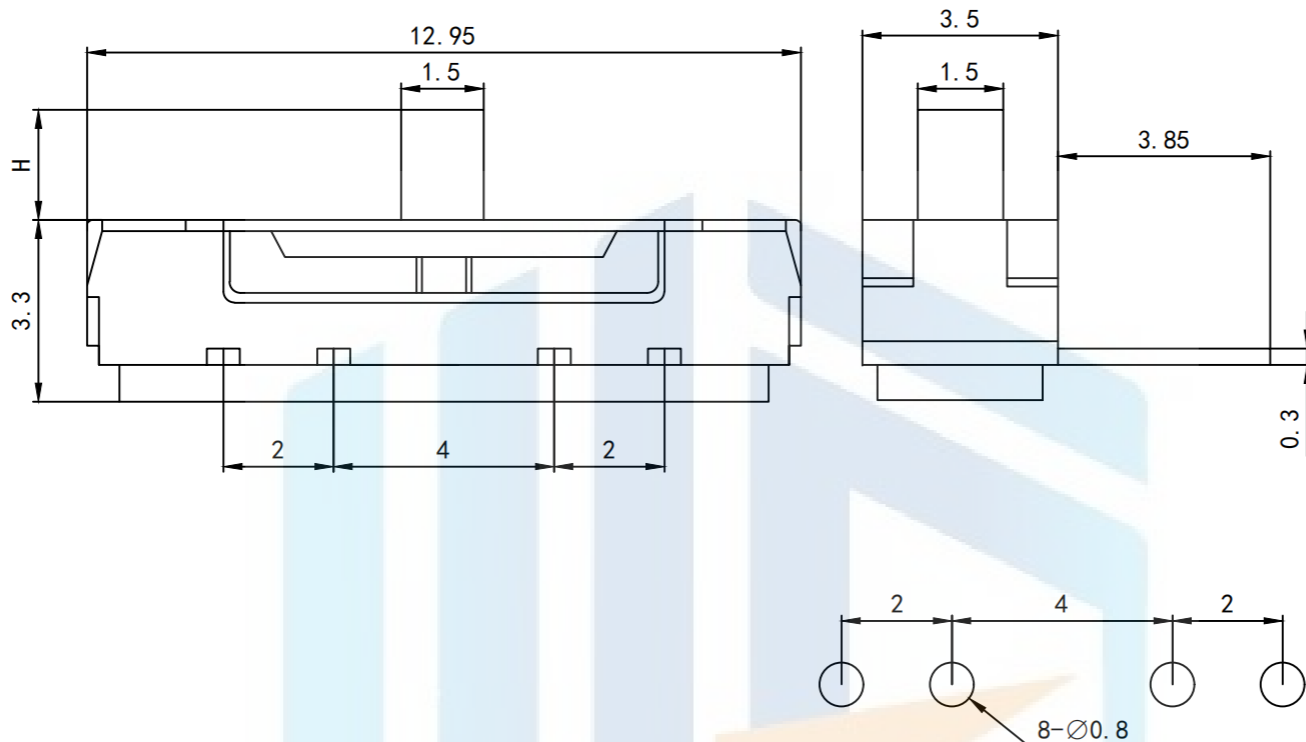

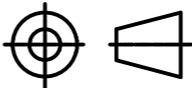


RoHS2.0
Compliant ✓



Technical requirements:
 Rated electrical load: DC12V 0.1A
 Insulation Resistance: $\geq 100M\Omega$
 Compressive Strength: AC250V (50Hz) 1min
 Ambient Temperature: $-25^{\circ}C \sim +70^{\circ}C$
 Relative humidity: ($40^{\circ}C$) $\leq 95\%$
 Contact Resistance: $\leq 50M\Omega$
 Actuation: $200gf \pm 30gf$
 Temperature Resistance: 250°
 Life span: 10000 times

TOLERANCE X. XXX ± 0.05 X. XX ± 0.15 X. X ± 0.20 X. ± 0.30 ANGLE $\pm 5.0^{\circ}$		东莞市恒祺电子科技有限公司 Dongguan Hengqi Electronic Technology Co., Ltd	
		https://www.hq-dz.com phone: 15812872448	
PROTECTON 	TITLE: 迷你拨动开关 单边4脚		PART NO: MSK-13D19
	DRAWN:		DRAWING NO: 13*3.5*3.5*H
	CHECKED:	DATE: 18-10-08	UNIT: mm
APPROVED:	DATE: 18-10-08	SCALE: FULL	
	DATE: 18-10-08	SIZE: A4	