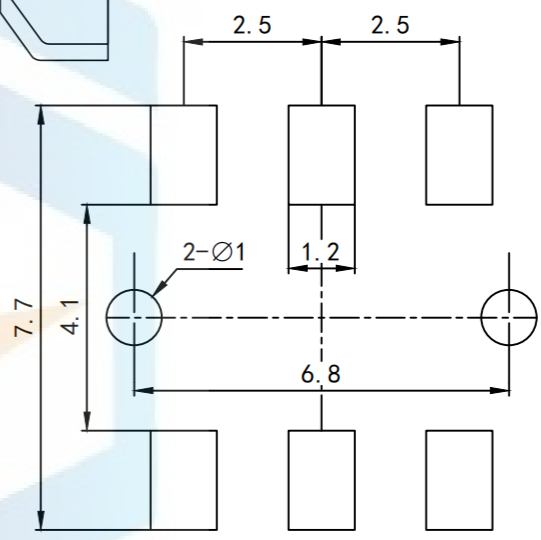
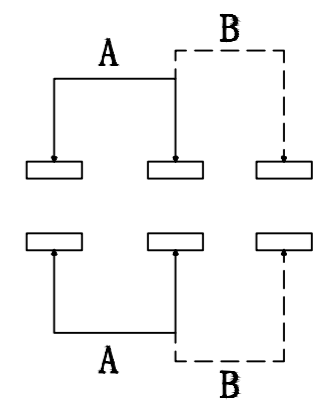
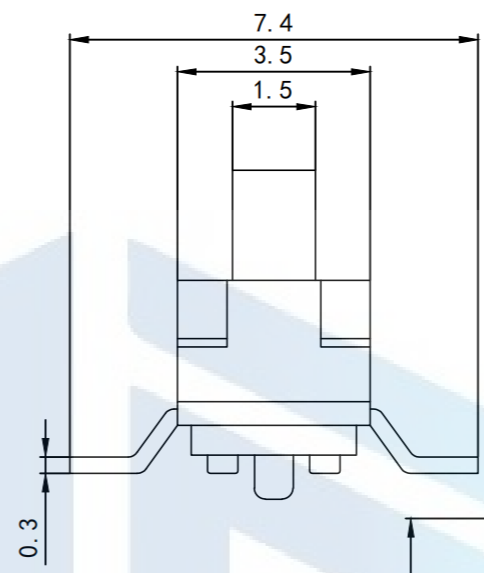
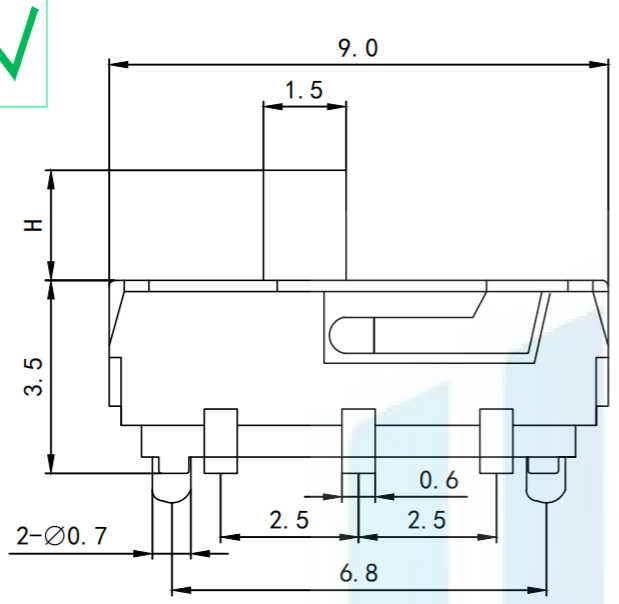


RoHS2.0  
Compliant ✓



Technical requirements:  
 Rated electrical load: DC12V 0.1A  
 Insulation Resistance:  $\geq 100M\Omega$   
 Compressive Strength: AC250V (50Hz) 1min  
 Ambient Temperature:  $-25^{\circ}C \sim +70^{\circ}C$   
 Relative humidity: ( $40^{\circ}C$ )  $\leq 95\%$   
 Contact Resistance:  $\leq 50M\Omega$   
 Actuation:  $200gf \pm 20gf$   
 Temperature Resistance:  $250^{\circ}$   
 Life span: 10000 times

<b>TOLERANCE</b>			<b>东莞市恒祺电子科技有限公司</b>		
X. XXX	$\pm 0.05$		Dongguan Hengqi Electronic Technology Co., Ltd		
X. XX	$\pm 0.15$	<a href="https://www.hq-dz.com">https://www.hq-dz.com</a> phone:15812872448			
X. X	$\pm 0.20$	<b>TITLE:</b> 迷你拨动开关		<b>PART NO:</b> MST-22D18立贴6脚	
X.	$\pm 0.30$	<b>DRAWING NO:</b> 9.0*3.5*3.5*H			
ANGLE	$\pm 5.0^{\circ}$	<b>DRAWN:</b>		<b>DATE:</b> 18-10-08 <b>UNIT:</b> mm	
<b>PROTECTON</b> 	<b>CHECKED:</b>		<b>DATE:</b> 18-10-08	<b>SCALE:</b> FULL	
	<b>APPROVED:</b>		<b>DATE:</b> 18-10-08	<b>SIZE:</b> A4	