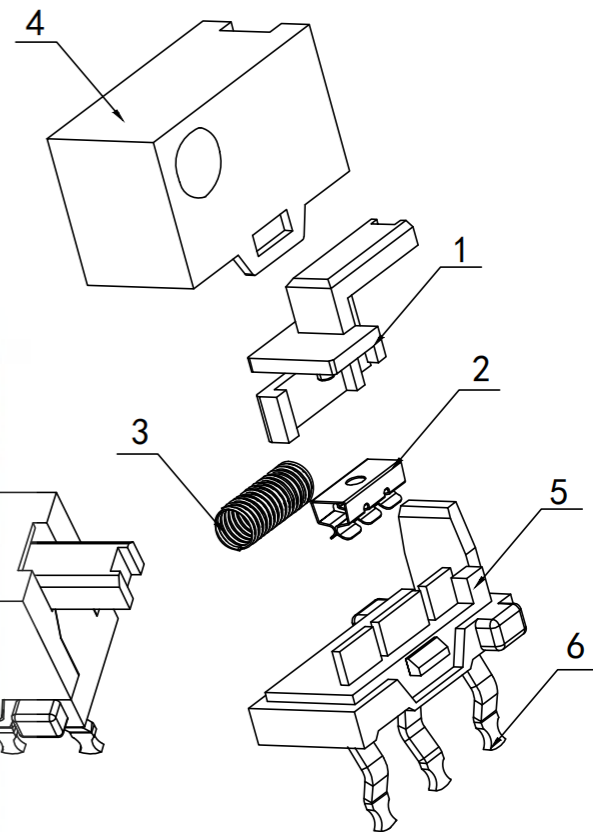
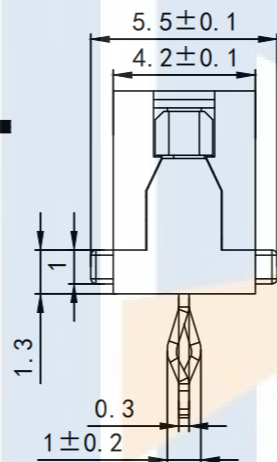
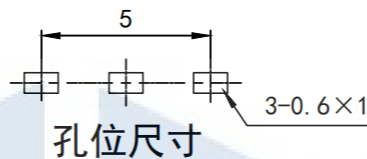
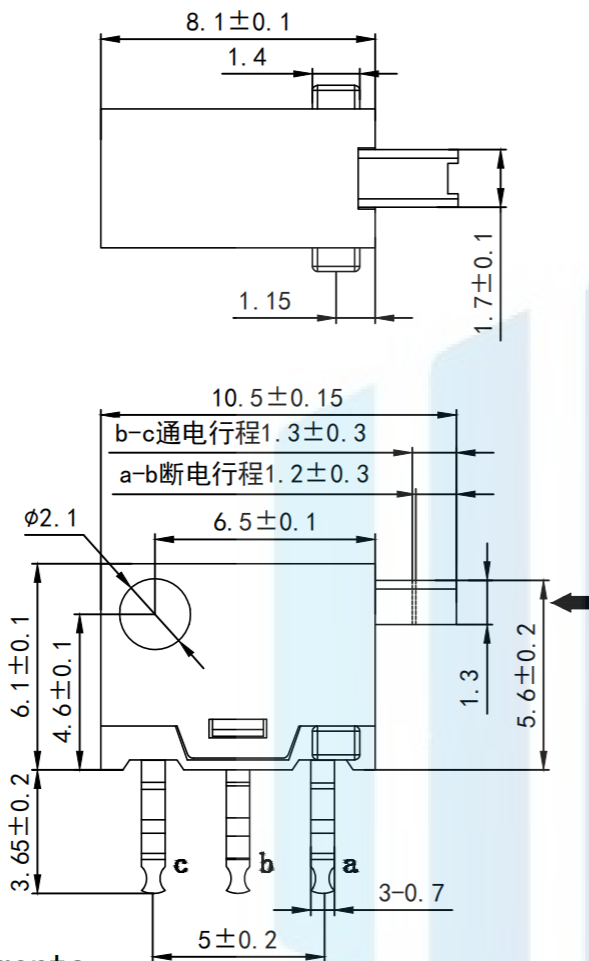
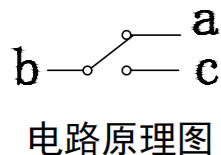


RoHS2.0
Compliant



Technical requirements

- Rated voltage: 16V (DC)
Rated current: 0.5A
- Switching insulation resistance: $\geq 50M\Omega$
- Switch contact resistance: $\leq 200m\Omega$
- Withstand voltage: AC 250V (50Hz)/min
- Driving force: $80g \pm 20g$
- Life span: 20000 cycles.
- The unmarked dimensional tolerance is required according to GB/T1804-m level accuracy

TOLERANCE			东莞市恒祺电子科技有限公司	
X. XXX	± 0.05		Dongguan Hengqi Electronic Technology Co., Ltd	
X. XX	± 0.15	https://www.hq-dz.com		
X. X	± 0.20	phone: 15812872448		
X.	± 0.30	TITLE: 限位开关		
ANGLE	$\pm 5.0^\circ$	PART NO: HQ-KFC-V-306P		
PROTECTON		DRAWING NO: 8.1*4.2*6.1		
		DRAWN:	DATE: 18-10-08	
		CHECKED:	DATE: 18-10-08	
		APPROVED:	DATE: 18-10-08	
			UNIT: mm	
			SCALE: FULL	
			SIZE: A4	