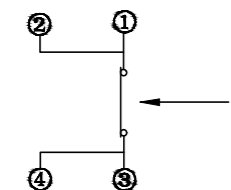
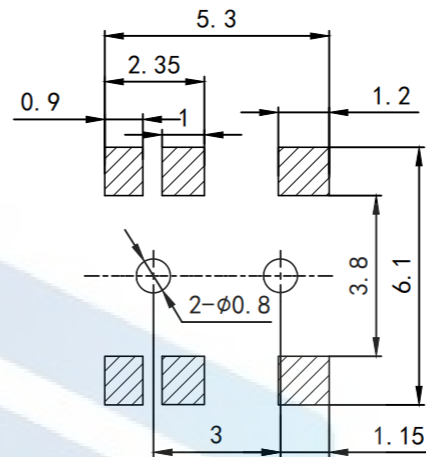
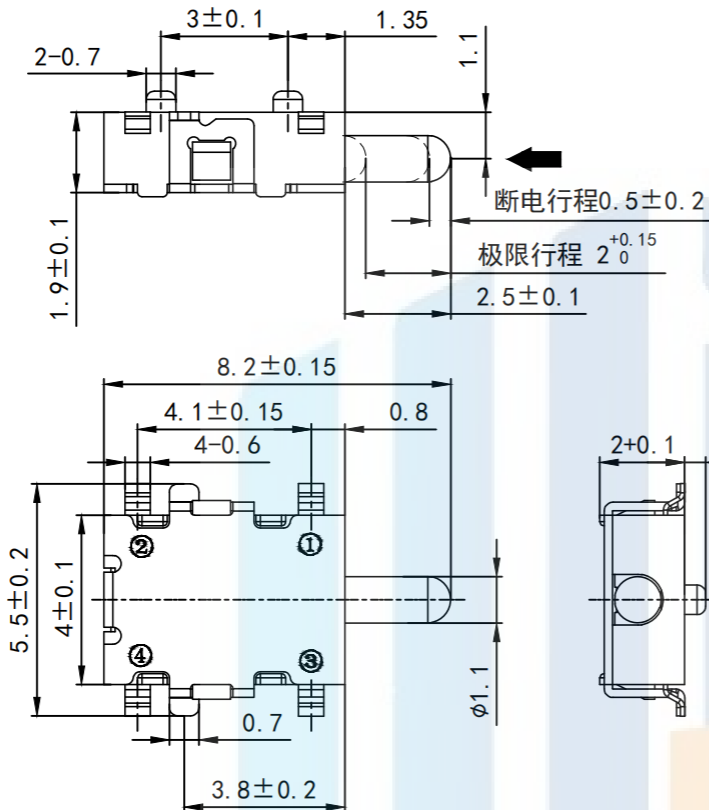


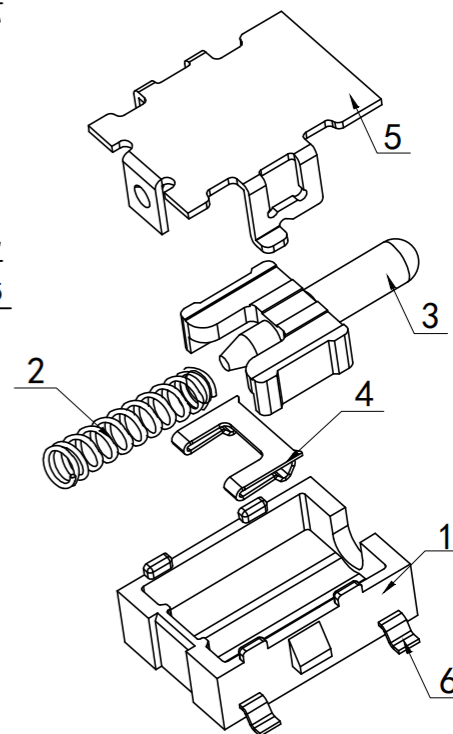
RoHS2.0  
Compliant



电路原理图



安装位置图

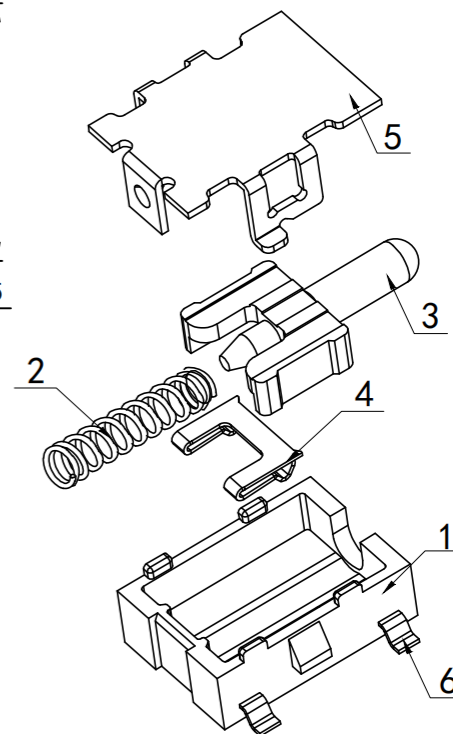
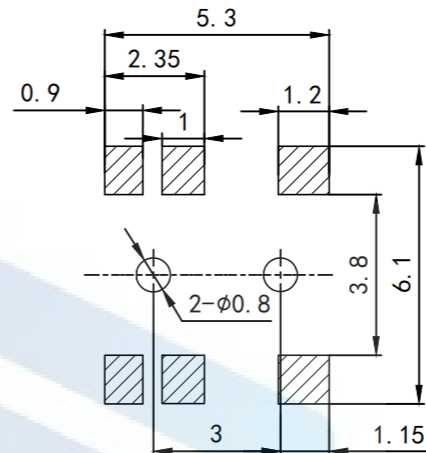
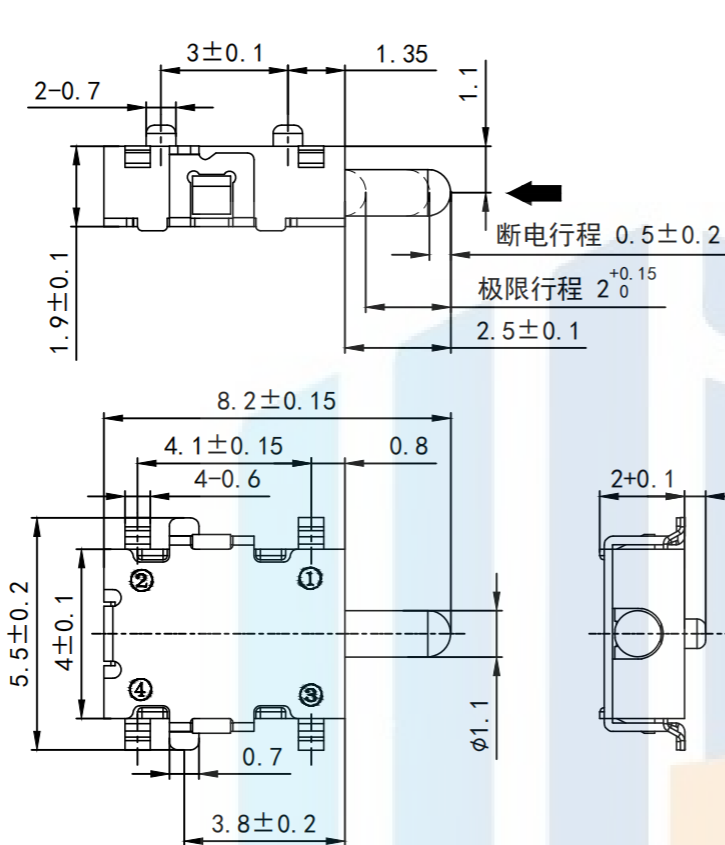
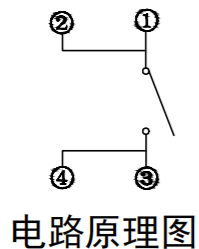


Technical requirements

1. Rated voltage: 16V (DC)  
Rated current: 0.5A
2. Switching insulation resistance:  $\geq 50M\Omega$
3. Switch contact resistance:  $\leq 200m\Omega$
4. Withstand voltage: AC 250V (50Hz)/min
5. Driving force:  $90g \pm 20g$
6. life span: 20000 cycles.
7. The unmarked dimensional tolerance is required according to GB/T1804-m level accuracy

<b>TOLERANCE</b> X. XXX ±0.05 X. XX ±0.15 X. X ±0.20 X. ±0.30 ANGLE ±5.0°		<b>东莞市恒祺电子科技有限公司</b> Dongguan Hengqi Electronic Technology Co., Ltd		
		<a href="https://www.hq-dz.com">https://www.hq-dz.com</a> phone: 15812872448		
<b>PROTECTON</b> 	<b>TITLE:</b> 限位开关		<b>PART NO:</b> HQ-KFC-V-305B按断	
	<b>DRAWN:</b>		<b>DRAWING NO:</b> 8.2*1.9*4	
	<b>CHECKED:</b>	<b>DATE:</b> 18-10-08	<b>UNIT:</b> mm	<b>SCALE:</b> FULL
<b>APPROVED:</b>	<b>DATE:</b> 18-10-08	<b>DATE:</b> 18-10-08	<b>SIZE:</b> A4	

RoHS2.0  
Compliant



Technical requirements

- Rated voltage: 16V (DC)  
Rated current: 0.5A
- Switching insulation resistance:  $\geq 50M\Omega$
- Switch contact resistance:  $\leq 200m\Omega$
- Withstand voltage: AC 250V (50Hz)/min
- Driving force: 90g  $\pm$  20g
- life span: 50000 cycles.
- The unmarked dimensional tolerance is required according to GB/T1804-m level accuracy

TOLERANCE	X. XXX	$\pm 0.05$		东莞市恒祺电子科技有限公司 Dongguan Hengqi Electronic Technology Co., Ltd	
	X. XX	$\pm 0.15$		<a href="https://www.hq-dz.com">https://www.hq-dz.com</a> phone: 15812872448	
X. X	$\pm 0.20$		TITLE: 限位开关		PART NO: HQ-KFC-V-305K按通
X.	$\pm 0.30$				DRAWING NO: 8.2*1.9*4
ANGLE	$\pm 5.0^\circ$		DRAWN:		DATE: 18-10-08      UNIT: mm
PROTECTON 			CHECKED:		DATE: 18-10-08      SCALE: FULL
			APPROVED:		DATE: 18-10-08      SIZE: A4