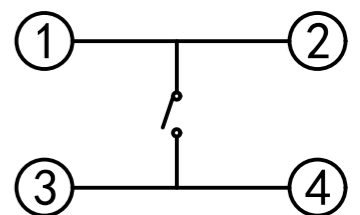
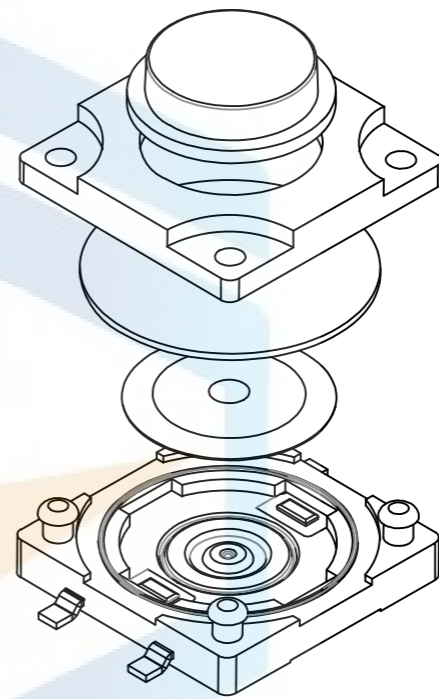
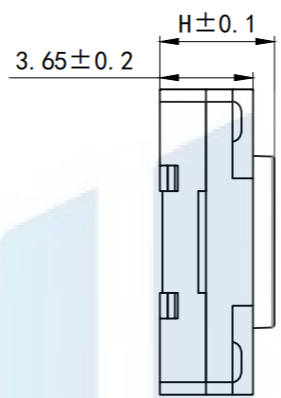
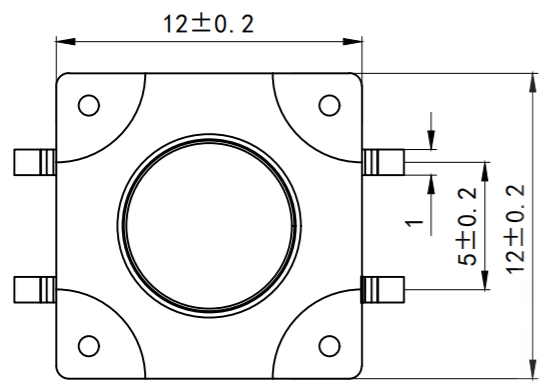
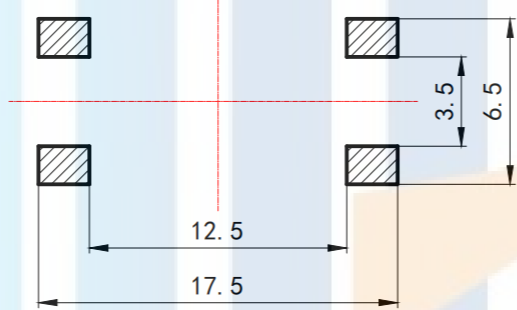
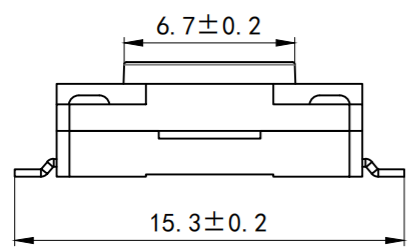


RoHS2.0
Compliant

H	
4.3	4.5
5.0	5.5
6.0	6.5
.....
13.0	13.5
14.0	15.0



电路图



PCB. 焊接图

Main technical specifications:

- Amount setting: 50mA DC12V
- Contact resistance: $\leq 50m\Omega$
- Operation force: $250 \pm 40gf$
- Line length: $0.45 \pm 0.1mm$
- Insulation resistance: $\geq 100M\Omega$
- Electrical strength: 250V 50HZ 1Min.
- Life span: 100,000 Cycles
- Waterproof rating: IP67
- Anti-silver migration: 60V, 85°C, 90%RH/60H

TOLERANCE X. XXX ± 0.05 X. XX ± 0.15 X. X ± 0.20 X. ± 0.30 ANGLE $\pm 5.0^\circ$		东莞市恒祺电子科技有限公司 Dongguan Hengqi Electronic Technology Co., Ltd		
		https://www.hq-dz.com phone: 15812872448		
PROTECTON 	TITLE: 轻触开关 圆头 贴片		PART NO: HQ-TS-1029	
	DRAWN:		DRAWING NO: 12*12*H	
	CHECKED:	DATE: 18-10-08	UNIT: mm	SCALE: FULL
APPROVED:	DATE: 18-10-08	DATE: 18-10-08	SIZE: A4	