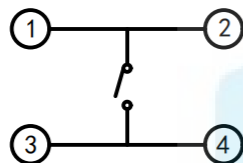
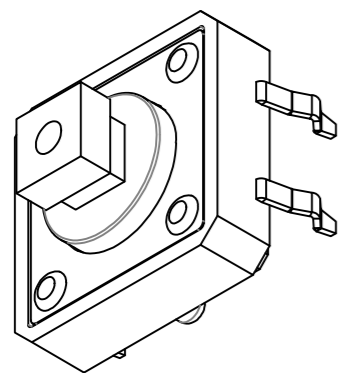


RoHS2.0
Compliant



电路图

- Main technical specifications:
Main technical specifications:
1. Amount setting: 50mA DC12V
 2. Contact resistance: $\leq 100\text{m}\Omega$
 3. Operation force: $250 \pm 40\text{gf}$
 4. Line length: $0.35 \pm 0.1\text{mm}$
 5. Insulation resistance: $\geq 100\text{M}\Omega$
 6. Electrical strength: 250V 50HZ 1Min.
 7. Life span: 100,000 Cycles

Materials:

Body: PPA (black)

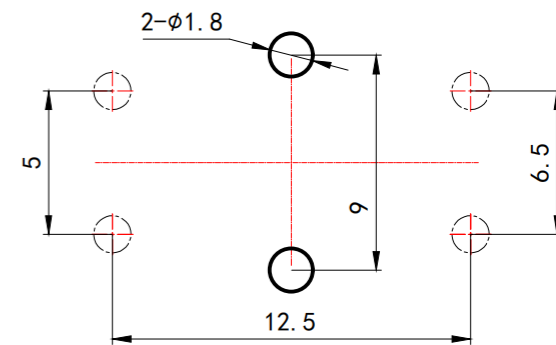
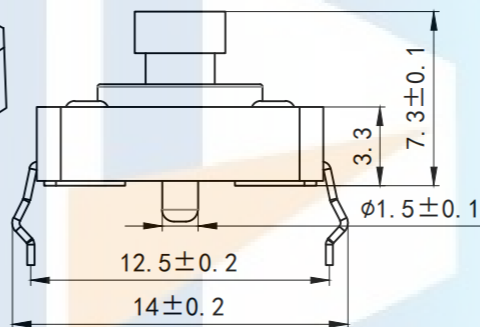
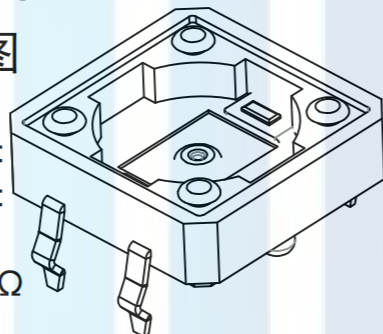
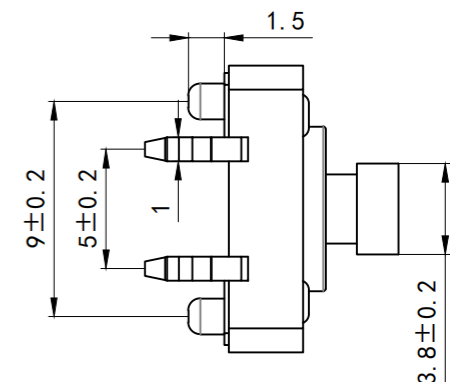
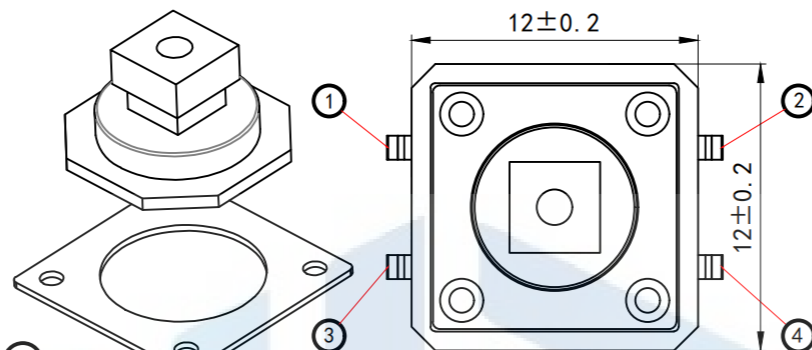
Button: PPA (yellow/black)

Card: Brass (silver plated)

Shrapnel: Stainless steel (silver covered)

Cover plate: Copper & Cold rolled steel

(copper-tin plated)



PCB. 焊接图

TOLERANCE	X. XXX	±0.05		东莞市恒祺电子科技有限公司 Dongguan Hengqi Electronic Technology Co., Ltd	
	X. XX	±0.15		https://www.hq-dz.com	phone:15812872448
PROTECTON	X. X	±0.20		TITLE: 轻触开关 方头定位黄头	
	X.	±0.30		PART NO:HQ-TS-G004	
	ANGLE	±5.0°		DRAWING NO:12*12*7.3	
				DRAWN:	DATE: 18-10-08
				CHECKED:	DATE: 18-10-08
				APPROVED:	DATE: 18-10-08
					UNIT: mm
					SCALE: FULL
					SIZE: A4