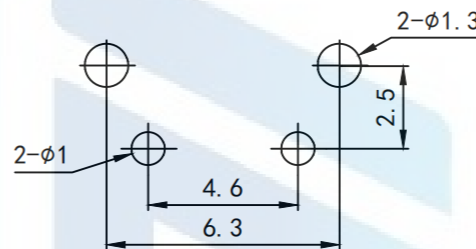
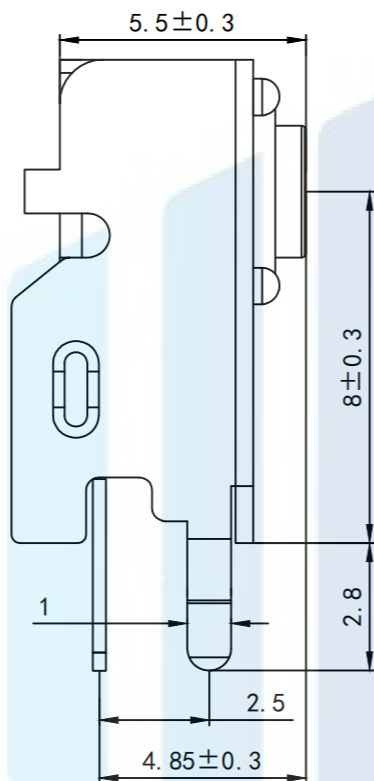
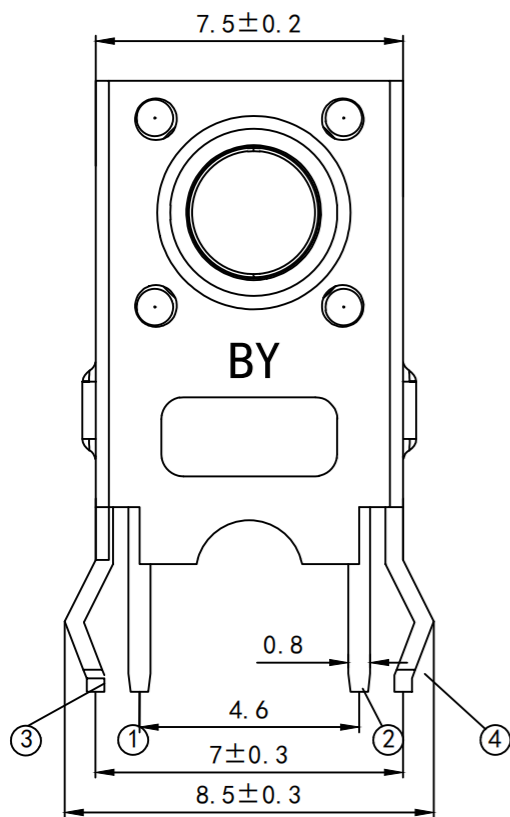
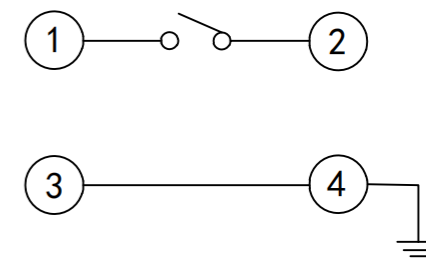


RoHS2.0
Compliant



P. C. B LAND DIMENSION



CIRCUIT DIAGRAM

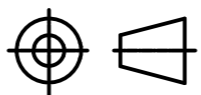
NOTE

1. RATING : DC 12V 50mA
2. CONTACT RESISTANCE : 100mΩ MAX
3. GENERAL TOLERANCE : +0.3
4. MANUFACTURING SPECIFICATION WOULD BE ACCORDANCE WITH WT0158

TOLERANCE

X. XXX	±0.05
X. XX	±0.15
X. X	±0.20
X.	±0.30
ANGLE	±5.0°

PROTECTON



东莞市恒祺电子科技有限公司

Dongguan Hengqi Electronic Technology Co., Ltd

<https://www.hq-dz.com>

phone:15812872448

TITLE:

轻触开关

PART NO:HQ-TS-D046

DRAWING NO:5.5*7.5*8

DRAWN:

CHECKED:

APPROVED:

DATE:

DATE:

DATE:

18-10-08

18-10-08

18-10-08

UNIT:
mm

SCALE:
FULL

SIZE:
A4