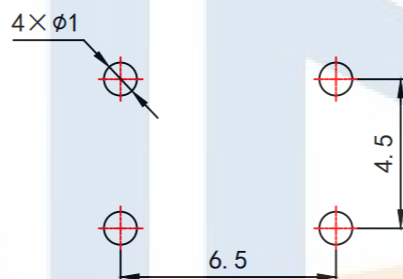
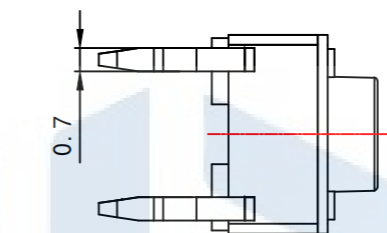
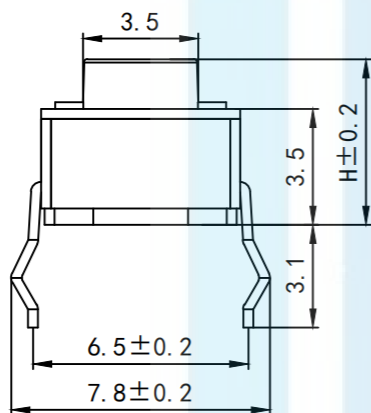
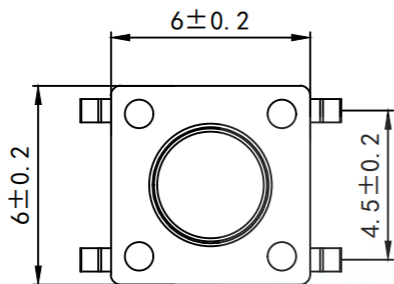
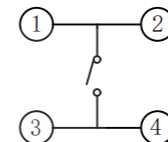


RoHS2.0
Compliant

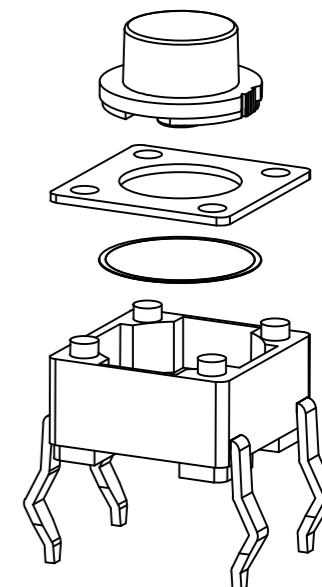
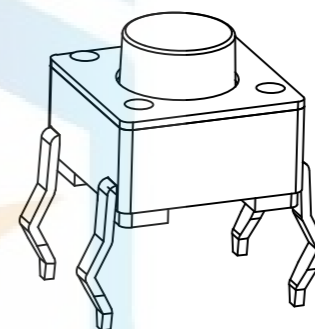
H	
4.3	4.5
5.0	5.5
6.0	6.5
7.0	7.5
...	...
19.5	20.0



PCB. 焊接图



电路图



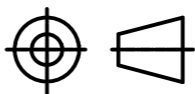
Key Technical Specifications:

1. Rating: 50mA DC12V
2. Contact resistance: $\leq 50m\Omega$
3. Operating force: $160 \pm 40gf$
4. Itinerary: $0.25 \pm 0.1mm$
5. Insulation resistance: $\geq 100M\Omega$
6. Electrical strength: 250V 50HZ 1Min.
7. life span: 50000&100,000 Cycles

TOLERANCE

X. XXX	± 0.05
X. XX	± 0.15
X. X	± 0.20
X.	± 0.30
ANGLE	$\pm 5.0^\circ$

PROTECTON



东莞市恒祺电子科技有限公司
Dongguan Hengqi Electronic Technology Co., Ltd

<https://www.hq-dz.com>

phone: 15812872448

TITLE:
轻触开关

PART NO: HQ-TS-D001

DRAWING NO: 6*6*H

DRAWN:

DATE: 18-10-08

UNIT:
mm

CHECKED:

DATE: 18-10-08

SCALE:
FULL

APPROVED:

DATE: 18-10-08

SIZE:
A4