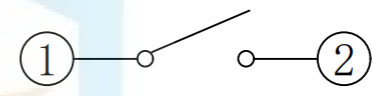
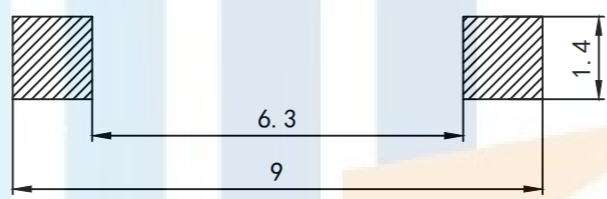
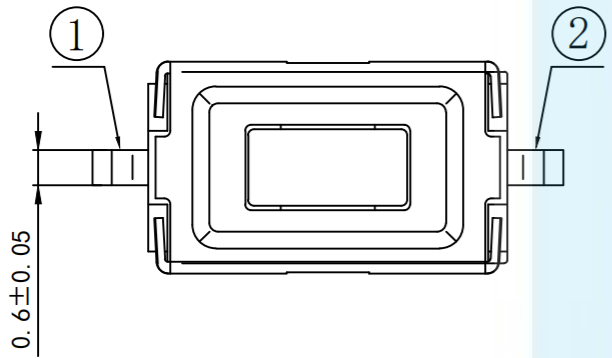
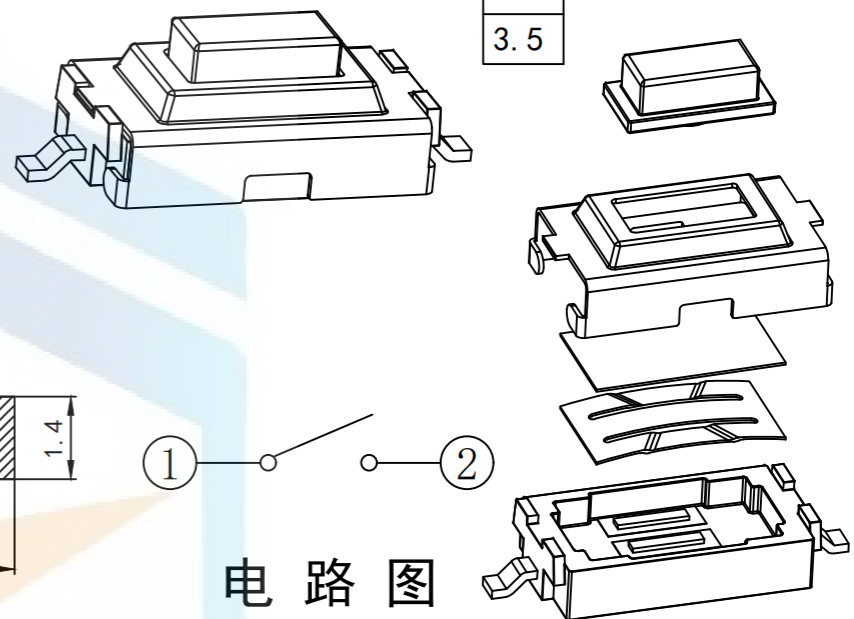
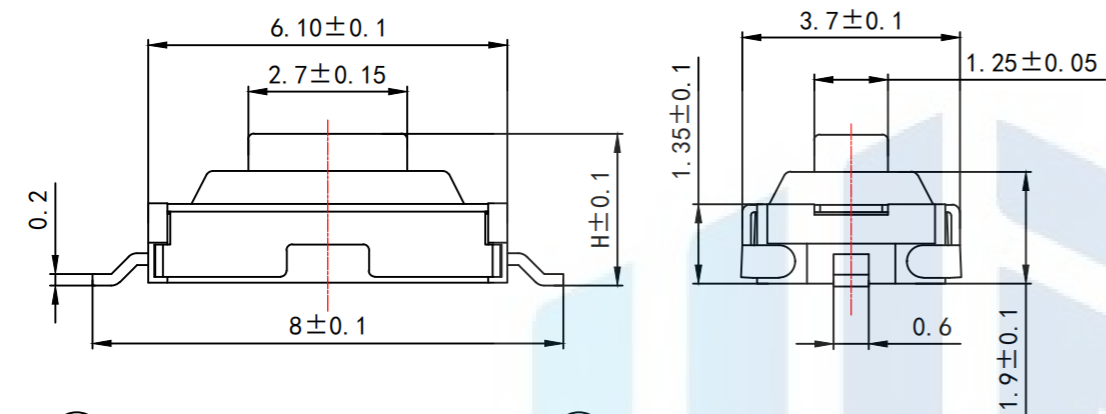


RoHS2.0
Compliant

H
2.5
2.7
3.0
3.3
3.5



电路图

PCB. 焊接图

- Key Technical Specifications:**
1. Rating: 50mA DC12V
 2. Contact resistance: $\leq 100 \Omega$
 3. Operating force: $160 \pm 30 \text{gf}$
 4. Itinerary: $0.20 \pm 0.1 \text{mm}$
 5. Insulation resistance: $\geq 100 \text{M}\Omega$
 6. Electrical strength: 250V 50HZ 1Min.
 7. life span: 50,000 Cycles

TOLERANCE X. XXX ± 0.05 X. XX ± 0.15 X. X ± 0.20 X. ± 0.30 ANGLE $\pm 5.0^\circ$		东莞市恒祺电子科技有限公司 Dongguan Hengqi Electronic Technology Co., Ltd	
		https://www.hq-dz.com phone: 15812872448	
PROTECTON 	TITLE: 轻触开关		PART NO: HQ-TS-B005
	DRAWN:		DRAWING NO: 3*6*H拉伸
	CHECKED:	DATE: 18-10-08	UNIT: mm
APPROVED:	DATE: 18-10-08	SCALE: FULL	
	DATE: 18-10-08	SIZE: A4	