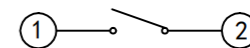
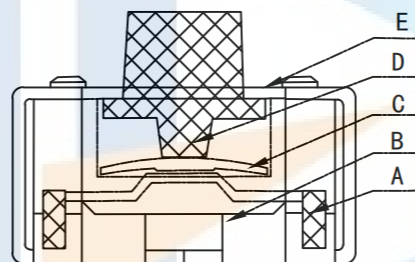
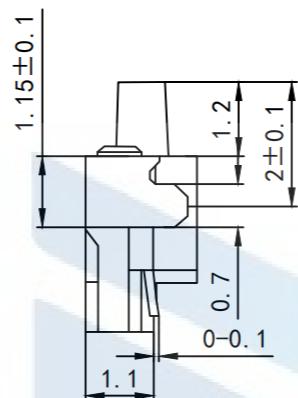
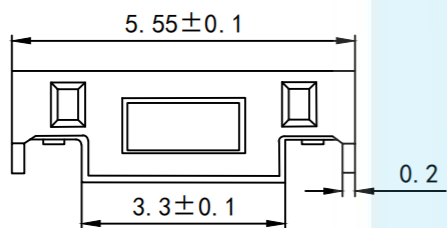
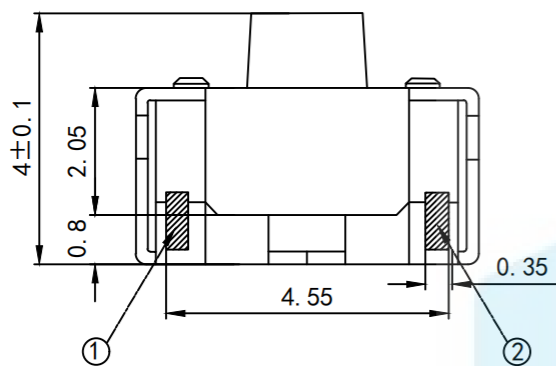
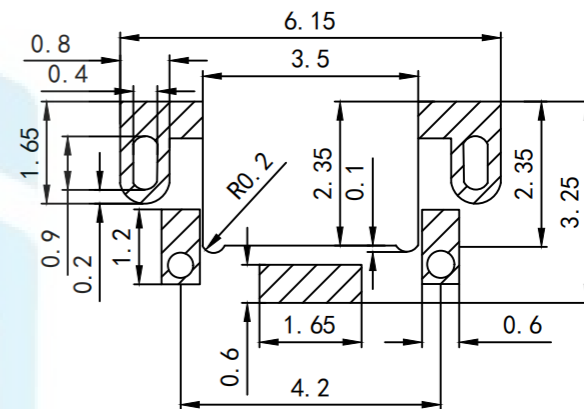


RoHS2.0
Compliant



电路图



安装参考图

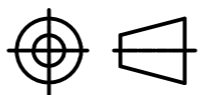
Technical requirements:

1. The surface of the parts is smooth and clean without scratches, splashes, deformation, defects affecting appearance and performance.
2. Rated current :50mA. 12V DC, insulation resistance 100Mmin, 100V DC, dielectric strength 250V AC for 1min, contact resistance 100m52 max.
3. The switch feels obvious, the gear position is clear and reliable, no stuck phenomenon, after eliminating external force, it should be able to return quickly.

TOLERANCE

X. XXX	±0.05
X. XX	±0.15
X. X	±0.20
X.	±0.30
ANGLE	±5.0°

PROTECTON



东莞市恒祺电子科技有限公司

Dongguan Hengqi Electronic Technology Co., Ltd

<https://www.hq-dz.com>

phone:15812872448

TITLE:

轻触开关

PART NO:HQ-TS-A025

DRAWING NO:2*5.5*4沉板

DRAWN:

CHECKED:

APPROVED:

DATE:

DATE:

DATE:

18-10-08

18-10-08

18-10-08

UNIT:
mm

SCALE:
FULL

SIZE:
A4