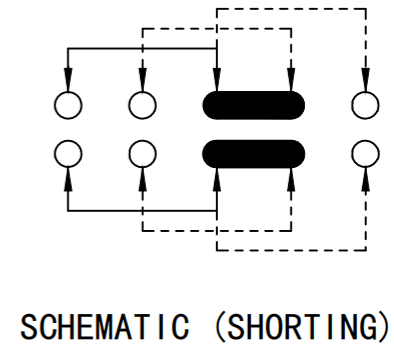
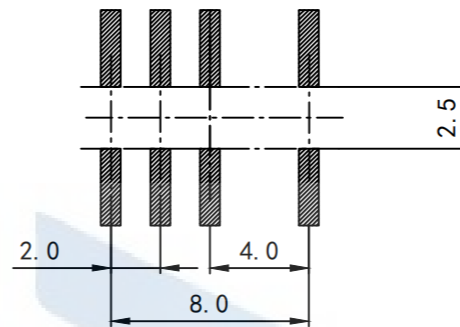
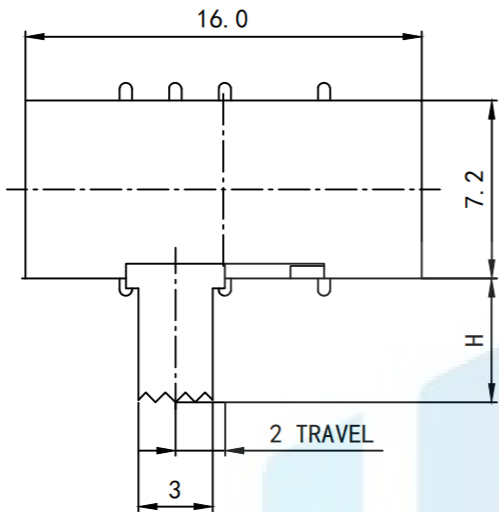
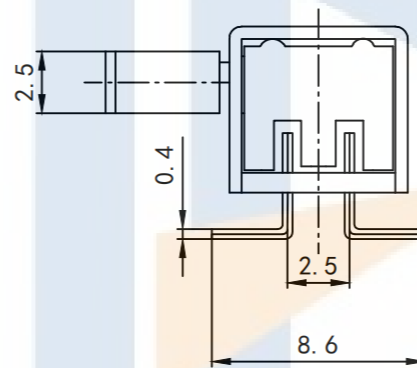
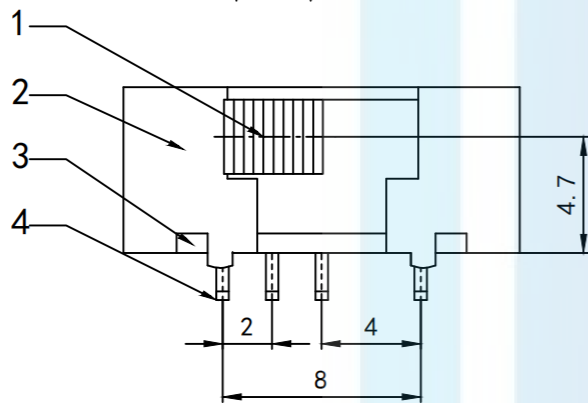


RoHS2.0  
Compliant ✓



P. C. B LAYOUT  
BOTTOM VIEW



**SPECIFICATION:**

1. Rating: DC 50V 0.3A
2. Contact resistance:  $\leq 100 \text{ m}\Omega$
3. Insulation resistance:  $\geq 100 \text{ m}\Omega$  (DC 250V/Min)
4. Electronics life: 5000 cycles
5. Operation force:  $300 \pm 100 \text{ gf}$
6. All materials are Rohs compliant

<b>TOLERANCE</b>			东莞市恒祺电子科技有限公司 Dongguan Hengqi Electronic Technology Co., Ltd		
X. XXX	$\pm 0.05$				
X. XX	$\pm 0.15$	https://www.hq-dz.com			phone: 15812872448
X. X	$\pm 0.20$	TITLE: 拨动开关		PART NO: SK-23D05贴片	
X.	$\pm 0.30$			DRAWING NO: 16*7.2*H	
ANGLE	$\pm 5.0^\circ$	DRAWN:		DATE:	18-10-08
<b>PROTECTON</b> 		CHECKED:		DATE:	18-10-08
		APPROVED:		DATE:	18-10-08
				UNIT:	mm
				SCALE:	FULL
				SIZE:	A4