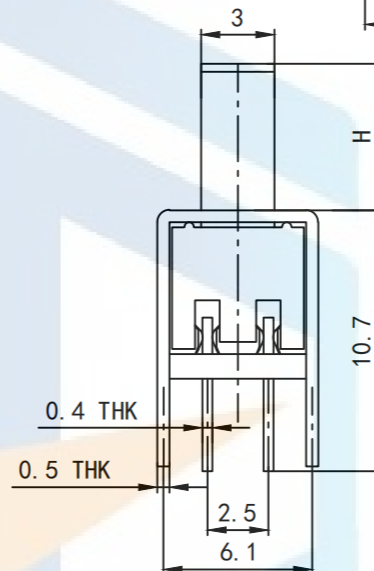
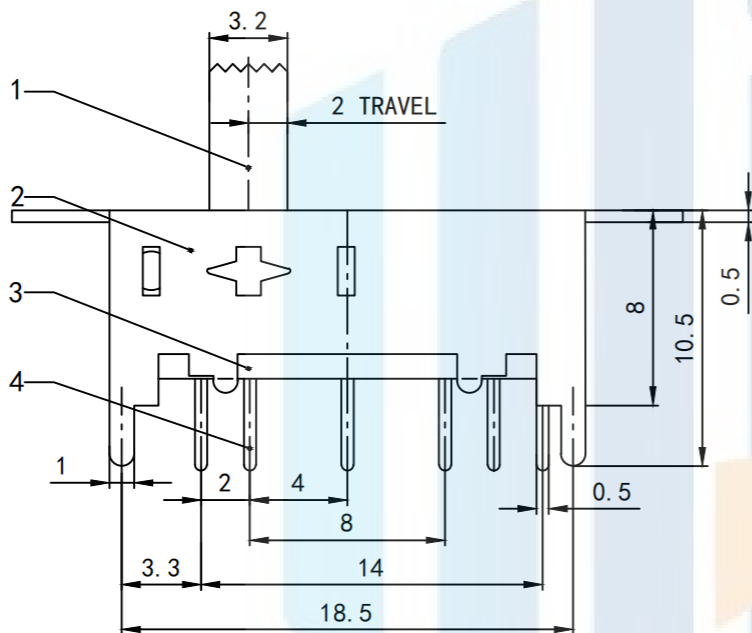
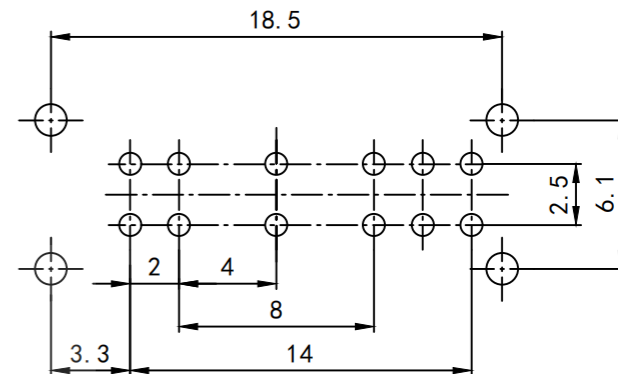
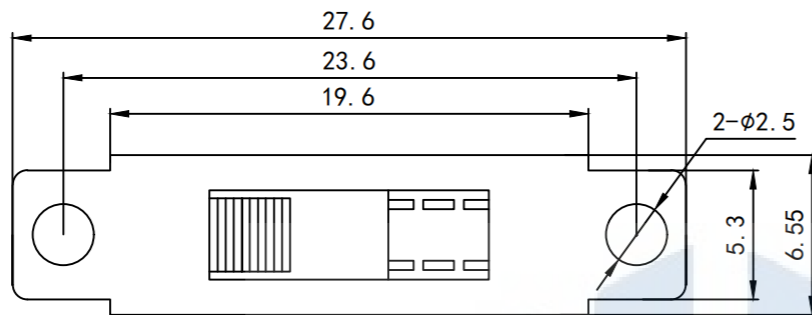
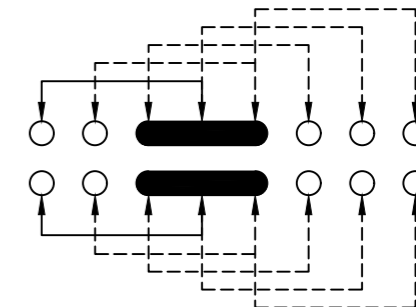


RoHS2.0
Compliant



P. C. B LAYOUT
BOTTOM VIEW



SCHEMATIC (SHORTING)

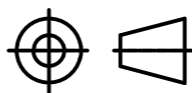
Technical requirements

1. The operating temperature is -25°C -85°C
2. Relative humidity: 85% RH
3. Rating: DC50V 0.3A
4. Operating force: T1-T2: 350 T2-T3: 300
5. Switch stroke: 2.5
6. MECHANICAL LIFE: 10000CY C L E S POSITIVE
7. Withstand voltage: AV 500V lmin

TOLERANCE

| | |
|--------|-------------------|
| X. XXX | ± 0.05 |
| X. XX | ± 0.15 |
| X. X | ± 0.20 |
| X. | ± 0.30 |
| ANGLE | $\pm 5.0^{\circ}$ |

PROTECTON



东莞市恒祺电子科技有限公司

Dongguan Hengqi Electronic Technology Co., Ltd

<https://www.hq-dz.com>

phone:15812872448

TITLE:

拨动开关

PART NO:SS-25D03

DRAWING NO:27.6*6.55*H

DRAWN:

DATE:

18-10-08

UNIT:
mm

CHECKED:

DATE:

18-10-08

SCALE:
FULL

APPROVED:

DATE:

18-10-08

SIZE:
A4