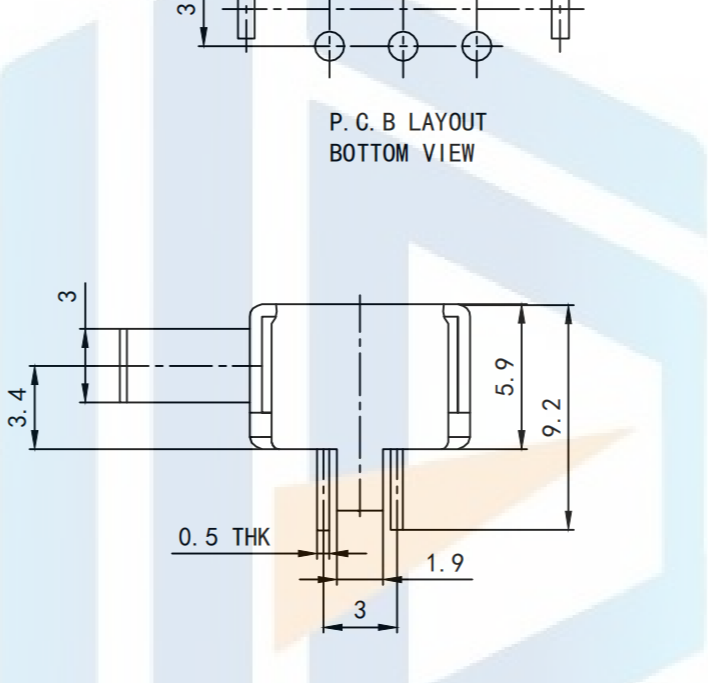
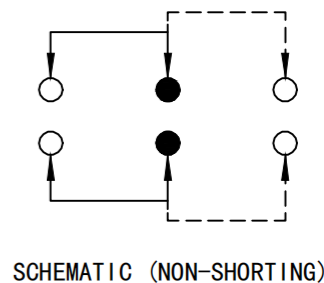
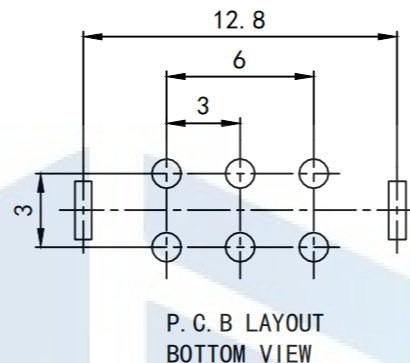
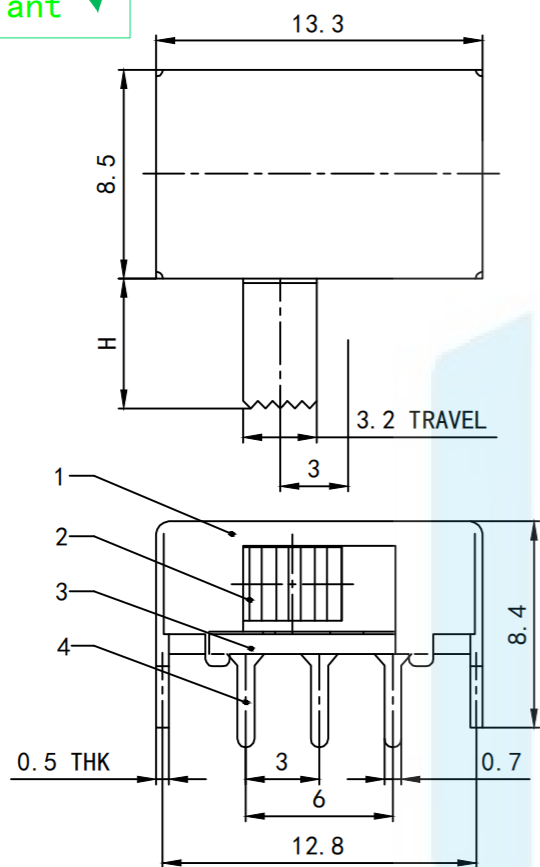

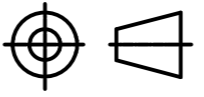


RoHS2.0  
Compliant ✓



**SPECIFICATION:**

1. Rated voltage :DC 50V 0.3A
2. Contact resistance :30MΩ MAX less than 30Mω
3. Insulation resistance :100MΩ MIN 100 megohm or more
4. Compressive strength :AC500V (50/60Hz)1 minute sensitivity current is 0.5mA
5. Operating temperature: -16°C±60°C
6. Mechanical life: 10,000 cycles

<b>TOLERANCE</b> X. XXX ±0.05 X. XX ±0.15 X. X ±0.20 X. ±0.30 ANGLE ±5.0°		<b>东莞市恒祺电子科技有限公司</b> Dongguan Hengqi Electronic Technology Co., Ltd	
		<a href="https://www.hq-dz.com">https://www.hq-dz.com</a> phone:15812872448	
<b>PROTECTON</b> 	<b>DRAWN:</b>	<b>DATE:</b> 18-10-08	<b>UNIT:</b> mm
	<b>CHECKED:</b>	<b>DATE:</b> 18-10-08	<b>SCALE:</b> FULL
	<b>APPROVED:</b>	<b>DATE:</b> 18-10-08	<b>SIZE:</b> A4