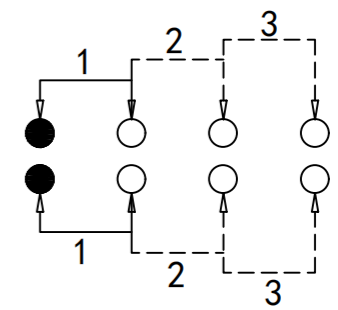
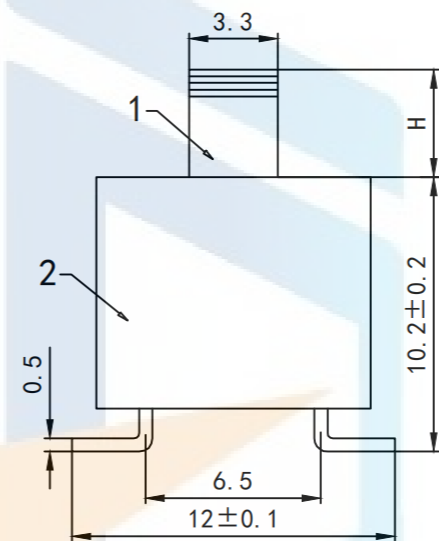
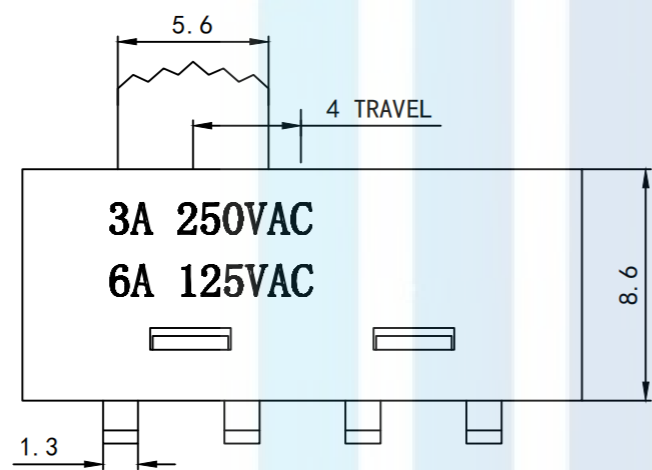
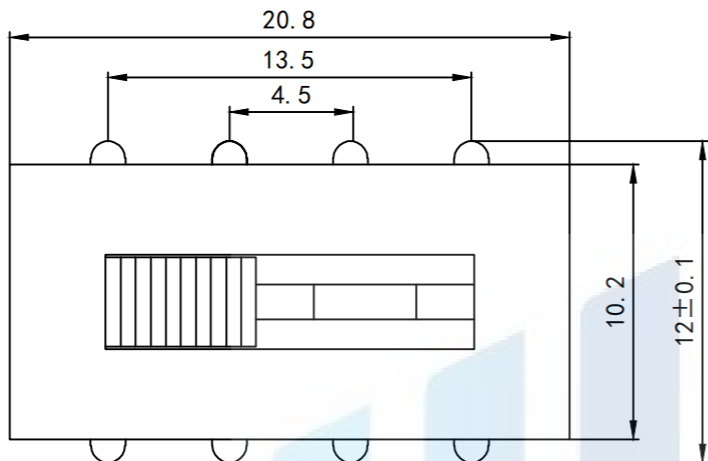
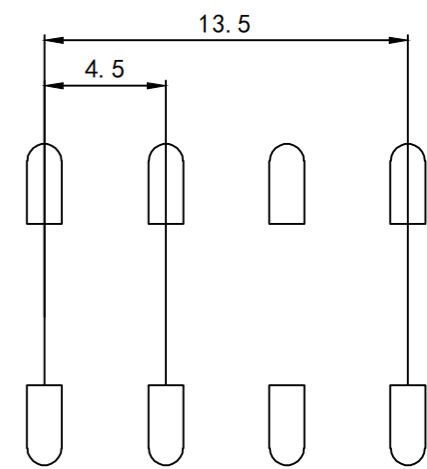


RoHS2.0
Compliant ✓



SCHEMATIC (NON-SHORTING)



P. C. B LAYOUT
BOTTOM VIEW

Electrical performance parameters

1. Rated load: AC125V 3A
2. Contact resistance: less than 100 milliohms
3. Insulation resistance: more than 100 megaohms
4. Withstand voltage: AC 500V
5. Strength: 350+100g
6. Lifespan: 5000 times
7. Wave soldering: 255+5 degrees

TOLERANCE			东莞市恒祺电子科技有限公司 Dongguan Hengqi Electronic Technology Co., Ltd		
X. XXX	±0.05		https://www.hq-dz.com phone:15812872448		
X. XX	±0.15	TITLE: 拨动开关		PART NO:SS-23H30贴片	
X. X	±0.20			DRAWING NO:20.8*10.2*H	
X.	±0.30	DRAWN:		DATE: 18-10-08 UNIT: mm	
ANGLE	±5.0°	CHECKED:		DATE: 18-10-08 SCALE: FULL	
PROTECTON		APPROVED:		DATE: 18-10-08 SIZE: A4	