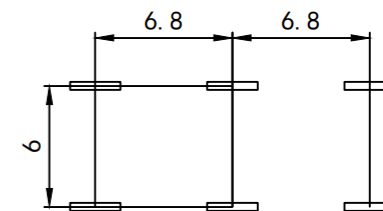
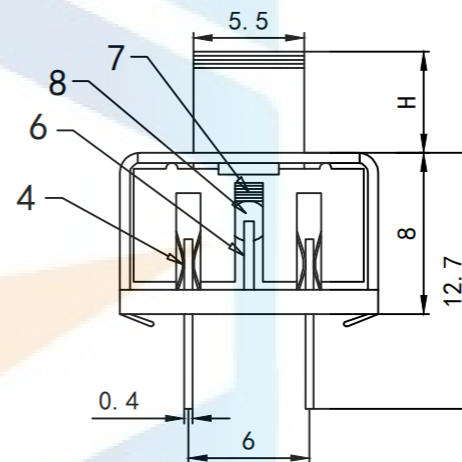
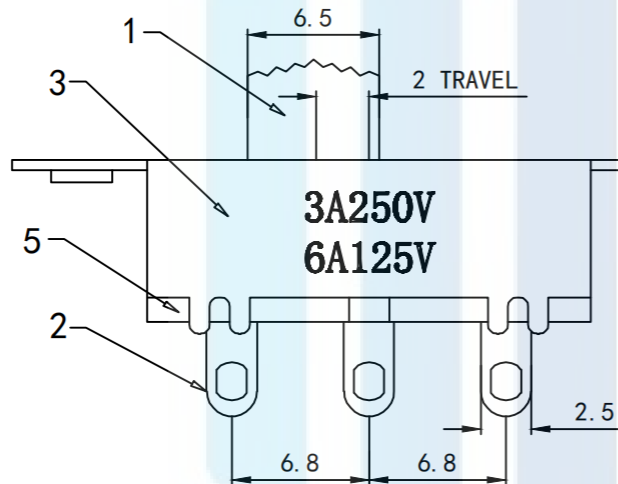
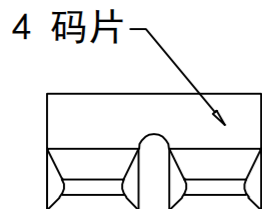
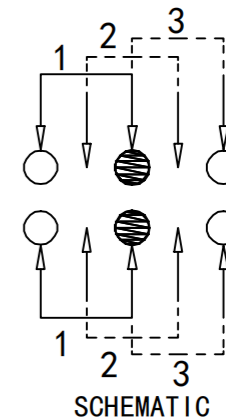
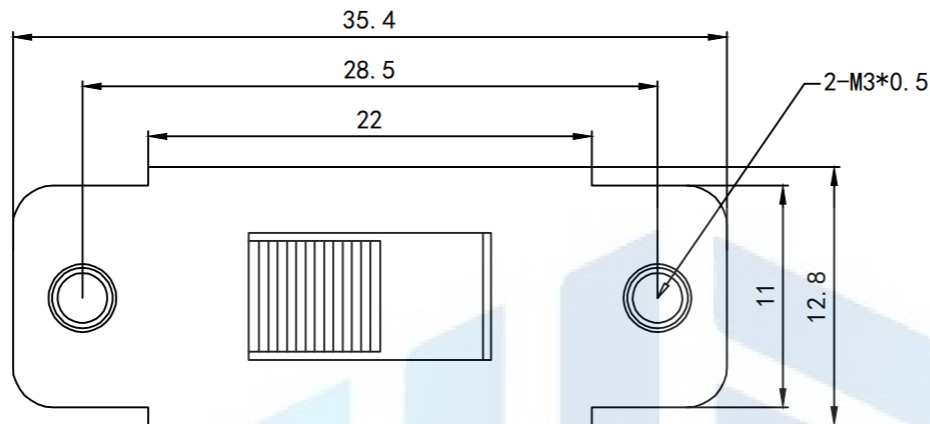


RoHS2.0
Compliant



P.C.B LAYOUT
BOTTOM VIEW

Electrical performance parameters:

1. Rated load :AC125V 3A
2. Contact resistance: less than 100 milliohm
3. Insulation resistance :100 megohm to _
- 4 Endurance life pressure :AC 500V
- 5 degrees :350 ° 100gf
6. Life :5000 times
7. Wave peak welding :255 degrees 5

| | | | | | |
|----------------------|-----------|------------------------|--|------------------|-------------|
| TOLERANCE | | | 东莞市恒祺电子科技有限公司 | | |
| X. XXX | ±0.05 | | Dongguan Hengqi Electronic Technology Co., Ltd | | |
| X. XX | ±0.15 | https://www.hq-dz.com | | | |
| X. X | ±0.20 | phone:15812872448 | | | |
| X. | ±0.30 | TITLE: 拨动开关 | | PART NO:SS-23F25 | |
| ANGLE | ±5.0° | DRAWING NO:35.4*12.8*H | | | |
| PROTECTON | DRAWN: | | DATE: | 18-10-08 | UNIT: mm |
| | CHECKED: | | DATE: | 18-10-08 | SCALE: FULL |
| | APPROVED: | | DATE: | 18-10-08 | SIZE: A4 |