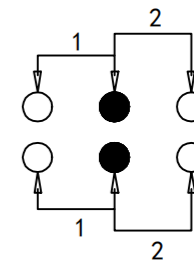
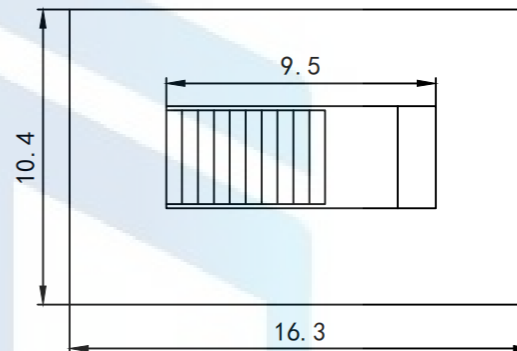
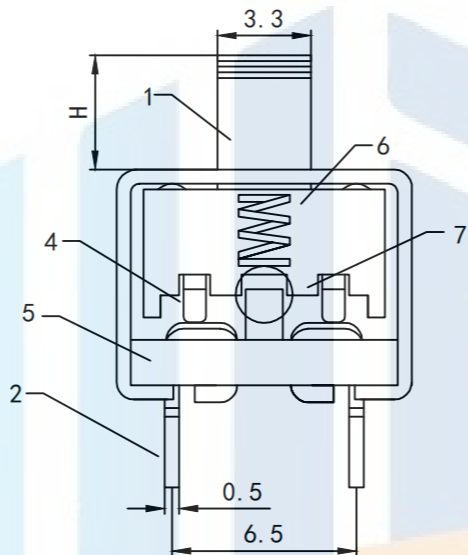
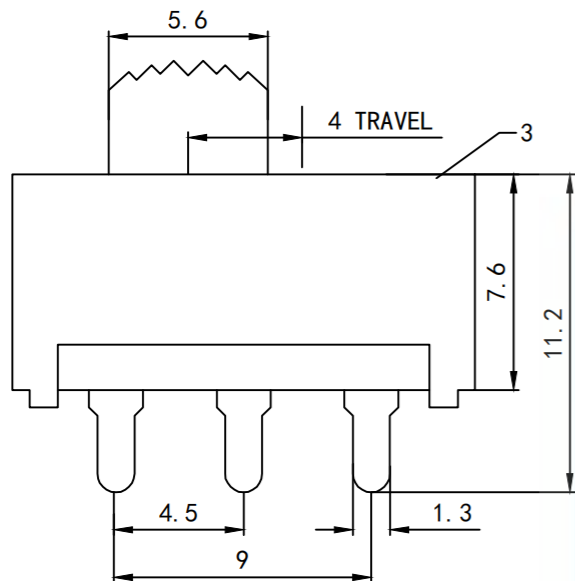
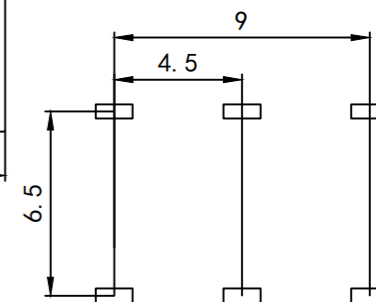


RoHS2.0
Compliant



SCHEMATIC



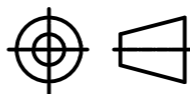
Electrical performance parameters:

1. Rated load: AC125V 2A
2. Contact resistance: less than 100 milliohm
3. Insulation resistance: more than 100 megohm
4. Withstand voltage: AC 500V
5. Strength: 0.2-0.8N
6. Life: 3000 times Electrical performance parameters:
7. Wave soldering: 255+5 degrees

TOLERANCE

X. XXX	±0.05
X. XX	±0.15
X. X	±0.20
X.	±0.30
ANGLE	±5.0°

PROTECTON



东莞市恒祺电子科技有限公司

Dongguan Hengqi Electronic Technology Co., Ltd

<https://www.hq-dz.com>

phone:15812872448

TITLE:

拨动开关

PART NO:SS-22H20

DRAWING NO:16.3*10.4*H

DRAWN:

DATE:

18-10-08

UNIT:
mm

CHECKED:

DATE:

18-10-08

SCALE:
FULL

APPROVED:

DATE:

18-10-08

SIZE:
A4