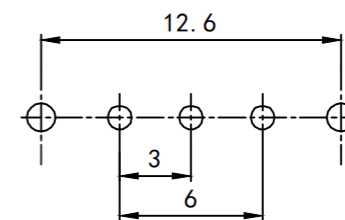
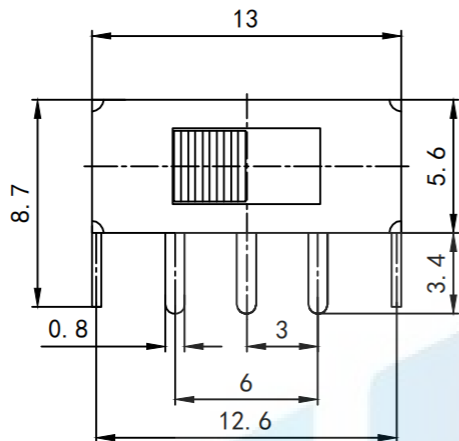
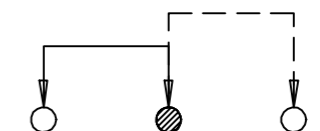
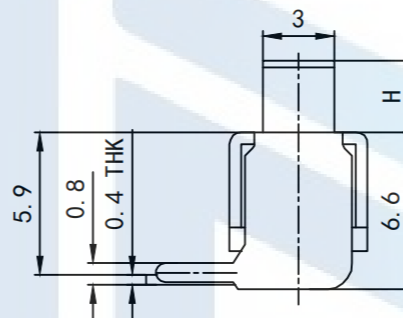
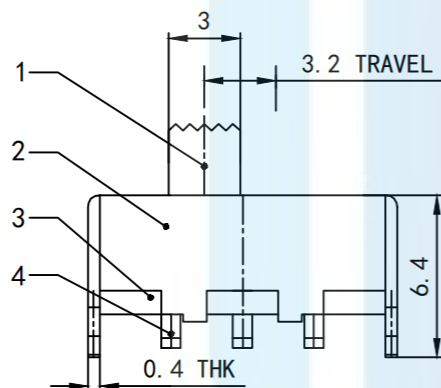


RoHS2.0  
Compliant ✓



P. C. B LAYOUT



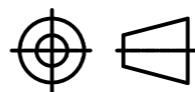
SCHEMATIC (NON-SHORTING)

Rated voltage :DC 50V 0.3A  
 Contact resistance :30MΩ MAX less than 30Mω  
 Insulation resistance :100MΩ MIN 100 megohm or more  
 Compressive strength :AC500V (50/60Hz) 1 minute sensitivity current is 0.5mA  
 Operating temperature: -16°C ±60°C  
 Mechanical life: 10,000 cycles

TOLERANCE

|        |       |
|--------|-------|
| X. XXX | ±0.05 |
| X. XX  | ±0.15 |
| X. X   | ±0.20 |
| X.     | ±0.30 |
| ANGLE  | ±5.0° |

PROTECTON



东莞市恒祺电子科技有限公司

Dongguan Hengqi Electronic Technology Co., Ltd

<https://www.hq-dz.com>

phone:15812872448

TITLE:

拨动开关

PART NO:SS-12F23

DRAWING NO:13\*5.6\*H

DRAWN:

DATE:

18-10-08

UNIT:  
mm

CHECKED:

DATE:

18-10-08

SCALE:  
FULL

APPROVED:

DATE:

18-10-08

SIZE:  
A4