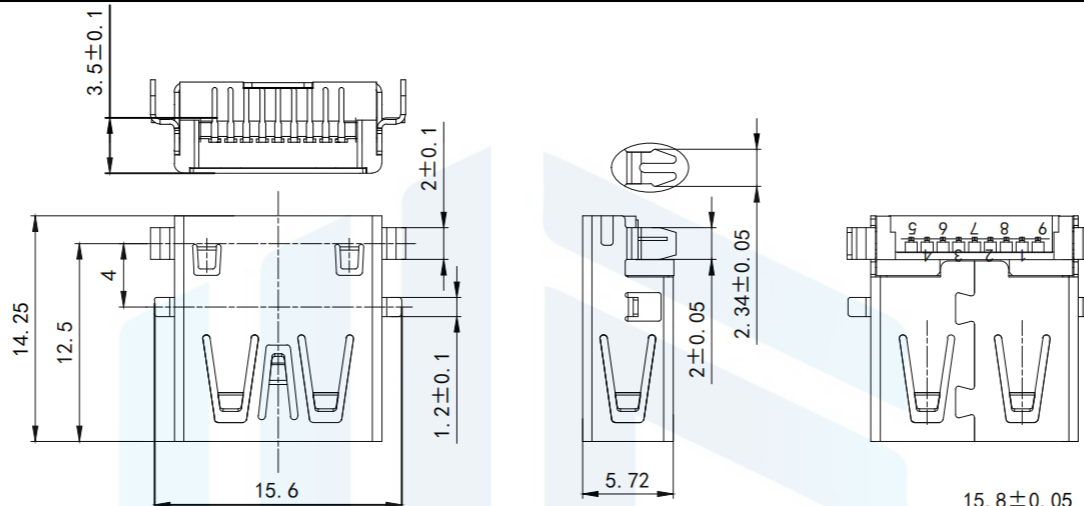


RoHS2.0
Compliant



Pin NUMBER	SIGNAL NAME
1	VBUS
2	D-
3	D+
4	GND
5	StdA_SSRX-
6	StdA_SSRX+
7	GND_DRAIN
8	StdA_SSTX-
9	StdA_SSTX+
Shell	Shield

NOTE:

1. MATERIAL:

- 1.1 INSULATOR:LCP UL 94V-0
- 1.2 CONTACT:BRONZE (T=0.20mm)
- 1.3 SHELL:SUS201 (T=0.30mm)

2. ELECTRICAL CHARACTERISTICS;

- 2.1 CONTACTRESISTANCE:30mΩ MAXIMUM
- 2.2 CONTACT CURRENT RATING:1.5A
- 2.3 DIELECTRIC WITHSTANDING VOLTAGE:500 V

R. M. S.

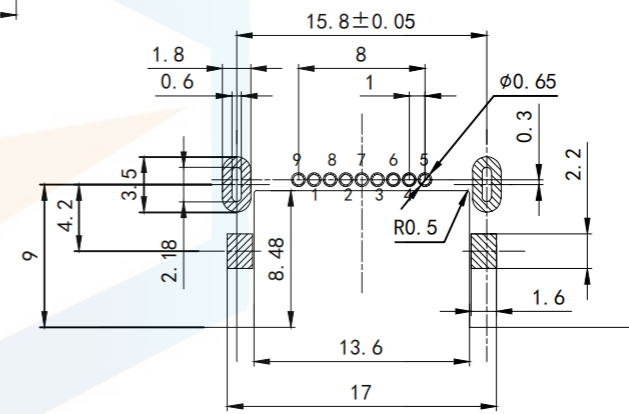
- 2.4 INSULATION RESISTANCE 1000 MEGOHMS MIN
- 2.5 OPERATING TEMPERATURE:-40° C ~ 85° C

3 MECHANICAL CHARACTERISTICS:

- 3.1 MATING FORCE:3.57kg MAX
- 3.2 UNMATED FORCE:1.02kg MIN
- 3.3 DURABILITY:MANDATORY:5,000 CYCLES

4. PLATING

- 4.1 TERMINAL:
50u" MIN NICKEL ALL OVER
100u"MIN Tin ON SOLDER AREA
(1~30)u"Au ON CONTACT AREA
- 4.2 SHELL:100u"MIN. NICEL ALL OVER



TOLERANCE		东莞市恒祺电子科技有限公司	
		Dongguan Hengqi Electronic Technology Co., Ltd	
X. XXX ±0.05 X. XX ±0.15 X. X ±0.20 X. ±0.30 ANGLE ±5.0°	https://www.hq-dz.com	phone:15812872448	
		PART NO:USB3.0-X086	
PROTECTON 	DRAWN: CHECKED: APPROVED:	DRAWING NO:15.6*14.25*5.72	
		DATE: 18-10-08	UNIT: mm
		DATE: 18-10-08	SCALE: FULL
		DATE: 18-10-08	SIZE: A4