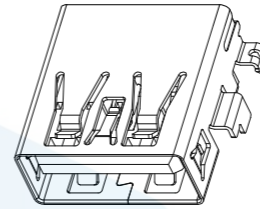
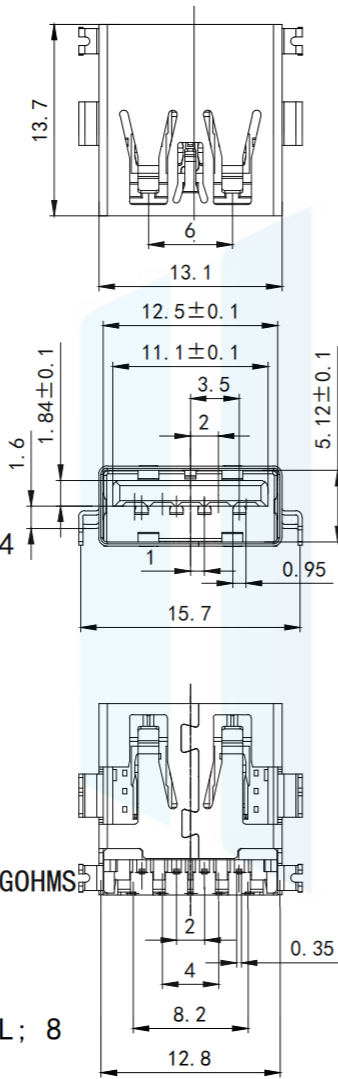


RoHS2.0
Compliant



Pin NUMBER	SIGNAL NAME
1	VBUS
2	D-
3	D+
4	GND
5	StdA_SSRX-
6	StdA_SSRX+
7	GND_DRAIN
8	StdA_SSTX-
9	StdA_SSTX+
Shell	Shield

NOTE:

1. MATERIAL:

1.1 INSULATOR: 塑胶9T PLASTIC UL 94 V-0; BLUE

1.2 CONTACT: C5191-H (T=0.20mm)

1.3 SHELL: SUS201 (T=0.30mm)

2. ELECTRICAL CHARACTERISTICS:

2.1 CONTACT RESISTANCE: 30mΩ Max

2.2 CONTACT CURRENT RATING: 1.5A

2.3 DIELECTRIC WITHSTANDING

VOLTAGE: 500 V R. M. S.

2.4 INSULATION RESISTANCE 1000 MEGOHMS

Min

3 MECHANICAL CHARACTERISTICS:

3.1 MATING FORCE: 35 N Max

3.2 UNMATED FORCE: 10 N Min INITIAL; 8

N Min AFTER TEST

4. PLATING

4.1 TERMINAL CONTACT: (SEE TAB) GOLD

PLATING ALL OVER

50u" MIN NICKEL AND 100u" MIN MATTE

Tin ALL OVER 50u"

MIN NICKEL ON SOLDER AREA

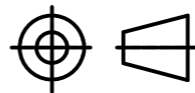
4.2 SHELL: 50u" MIN. NICKEL ALL OVER

5. PART NUMBER:

TOLERANCE

X. XXX	±0.05
X. XX	±0.15
X. X	±0.20
X.	±0.30
ANGLE	±5.0°

PROTECTON



东莞市恒祺电子科技有限公司

Dongguan Hengqi Electronic Technology Co., Ltd

<https://www.hq-dz.com>

phone: 15812872448

TITLE:

USB3.0 A/F 沉板4.46正向插脚
直边4脚定位插板L13.7

PART NO: USB3.0-V168

DRAWING NO: 13.7*13.1*5.12

DRAWN:

CHECKED:

APPROVED:

DATE:

DATE:

DATE:

18-10-08

18-10-08

18-10-08

UNIT:
mm

SCALE:
FULL

SIZE:
A4

TOLERANCE: ±0.05, THICKNESS: 1.2mm
RECOMMENDED PCB LAYOUT
(TOP VIEW)
KEEP OUT AREA

