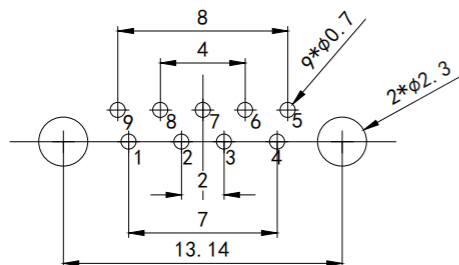


RoHS2.0
Compliant



P. C. B LAYOUT
TOL: ±0.05

NOTE:

1. MATERIAL:

- 1.1 INSULATOR: PBT & PA9T & LCP
- 1.2 CONTACT: COPPER ALLOY
- 1.3 SHELL: BRASS

2. ELECTRICAL CHARACTERISTICS:

- 2.1 CONTACT RESISTANCE: 30mΩ MAXIMUM
- 2.2 CONTACT CURRENT RATING: 1.5A
- 2.3 DIELECTRIC WITHSTANDING VOLTAGE: 100

V R. M. S.

- 2.4 INSULATION RESISTANCE 100 MEGOHMS

MIN

- 2.5 OPERATING TEMPERATURE: -20° C ~ 60° C

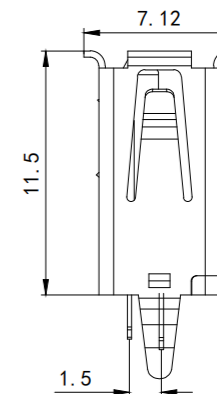
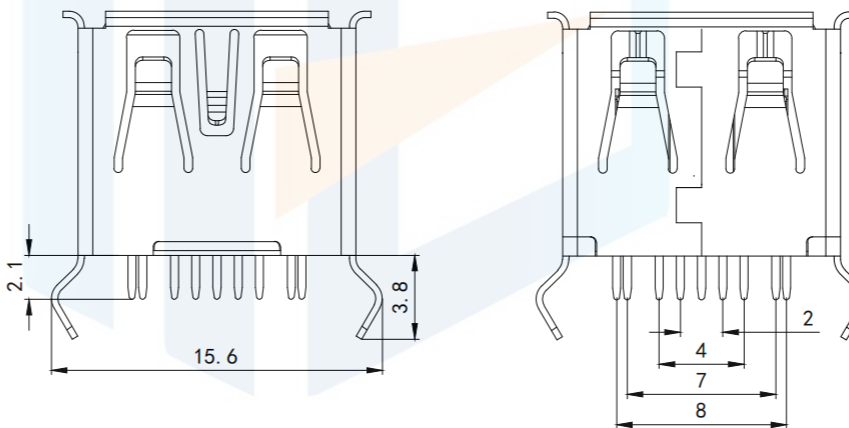
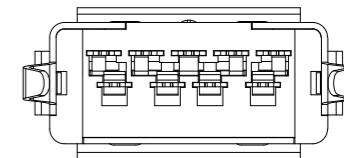
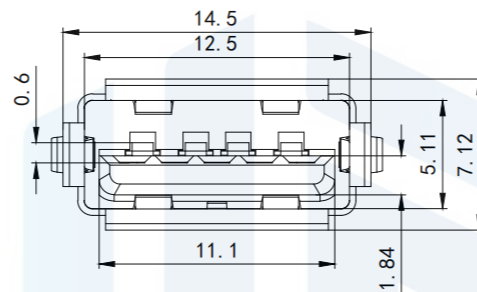
3. PLATING

3.1 TERMINAL:

- 50u" MIN NICKEL ALL OVER
- 100u" MIN Tin ON SOLDER AREA
- (1~30)u"Au ON CONTACT AREA

- 3.2 SHELL: 80u" MIN. NICKEL ALL OVER

4. PART NO. :



V R. M. S.

- 2.4 INSULATION RESISTANCE 100 MEGOHMS

MIN

- 2.5 OPERATING TEMPERATURE: -20° C ~ 60° C

3. PLATING

3.1 TERMINAL:

- 50u" MIN NICKEL ALL OVER
- 100u" MIN Tin ON SOLDER AREA
- (1~30)u"Au ON CONTACT AREA

- 3.2 SHELL: 80u" MIN. NICKEL ALL OVER

4. PART NO. :

| Pin # | SIGNAL NAME |
|-------|-------------|
| 1 | VBUS |
| 2 | D- |
| 3 | D+ |
| 4 | GND |
| 5 | StdA_SSRX- |
| 6 | StdA_SSRX+ |
| 7 | GND_DRAIN |
| 8 | StdA_SSTX- |
| 9 | StdA_SSTX+ |
| Shell | Shield |

| TOLERANCE | |
|-----------|-------|
| X. XXX | ±0.05 |
| X. XX | ±0.15 |
| X. X | ±0.20 |
| X. | ±0.30 |
| ANGLE | ±5.0° |

| PROTECTON | |
|-----------|--|
| | |

| | | |
|---|---|----------------------------|
| | 东莞市恒祺电子科技有限公司 Dongguan Hengqi Electronic Technology Co., Ltd | |
| | https://www.hq-dz.com | phone: 15812872448 |
| TITLE: USB3.0 A/F 立式插板11.5 卷边2脚定位K脚 | | PART NO: USB3.0-T005 |
| | | DRAWING NO: 14.5*11.5*7.12 |
| DRAWN: | | DATE: 18-10-08 |
| CHECKED: | | DATE: 18-10-08 |
| APPROVED: | | DATE: 18-10-08 |
| | | UNIT: mm |
| | | SCALE: FULL |
| | | SIZE: A4 |