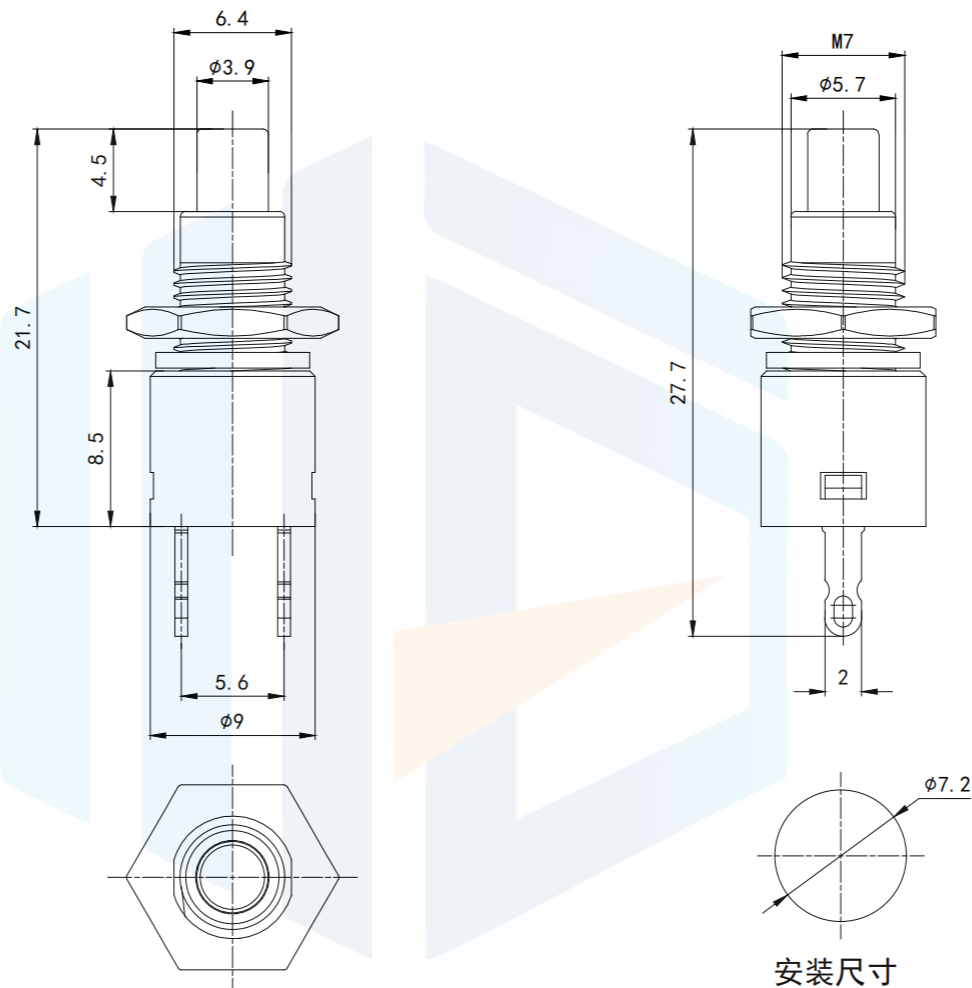


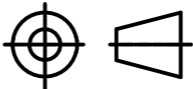


RoHS2.0
Compliant

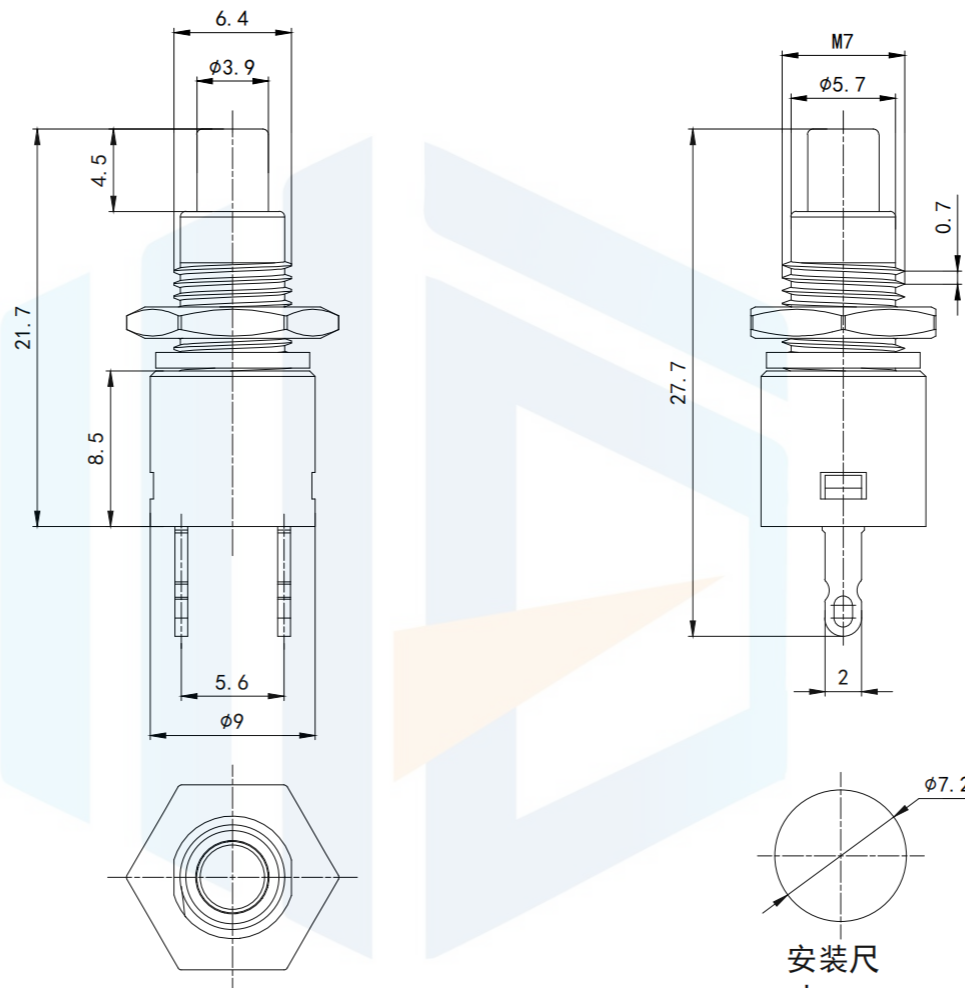


The Main hchnology


1. Circuit: 
2. Rated voltage: 3A 125V~
Rated current: 1.5A 250V~
3. Insulated resistance: $\geq 100M\Omega$
4. Contact resistance: $\leq 100M\Omega$
5. Dielectric strength: $\geq 500V/5S$
6. Endurance: ≥ 10000 次
7. Ambient temperature: T85


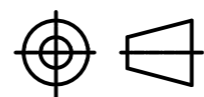
TOLERANCE X. XXX ± 0.05 X. XX ± 0.15 X. X ± 0.20 X. ± 0.30 ANGLE $\pm 5.0^\circ$		东莞市恒祺电子科技有限公司 Dongguan Hengqi Electronic Technology Co., Ltd	
		https://www.hq-dz.com phone: 15812872448	
PROTECTON 	TITLE: 按钮开关		PART NO: PBS-03D按钮
	DRAWN:		DRAWING NO: 5.7*27.7
	CHECKED:	DATE: 18-10-08	UNIT: mm
APPROVED:	DATE: 18-10-08	SCALE: FULL	
	DATE: 18-10-08	SIZE: A4	

RoHS2.0
Compliant



The Main hchnology

1. Circuit: 
2. Rated voltage: 3A 125V~
Rated current: 1.5A 250V~
3. Insulated resistance: $\geq 100M\Omega$
4. Contact resistance: $\leq 100M\Omega$
5. Dielectric strength: $\geq 500V/5S$
6. Endurance: ≥ 10000 次
7. Ambient temperature: T85

TOLERANCE	X. XXX	±0.05		东莞市恒祺电子科技有限公司	
	X. XX	±0.15		Dongguan Hengqi Electronic Technology Co., Ltd	
X. X	±0.20		https://www.hq-dz.com		phone:15812872448
X.	±0.30		TITLE: 按钮开关		PART NO:PBS-03D接通
ANGLE	±5.0°				DRAWING NO:5.7*27.7
PROTECTON 	DRAWN:		DATE:	18-10-08	UNIT: mm
	CHECKED:		DATE:	18-10-08	SCALE: FULL
	APPROVED:		DATE:	18-10-08	SIZE: A4

安装尺寸