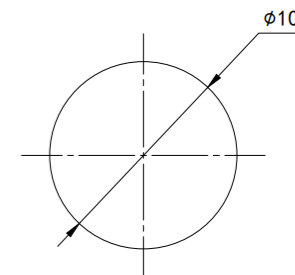
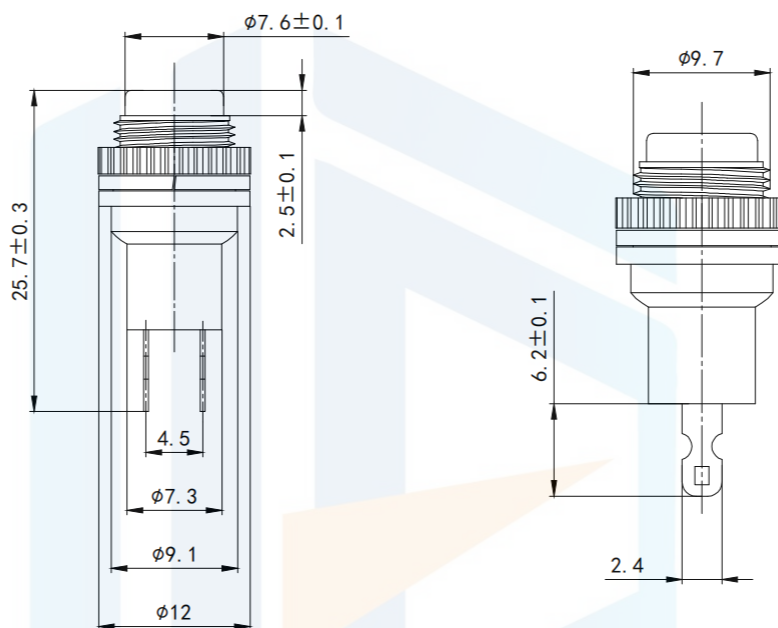
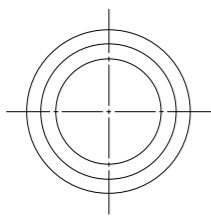


RoHS2.0  
Compliant



安装尺寸

### The Main hchnology

1. Circuit:
2. Rated voltage: 1.5A 250V<sup>~</sup>  
Rated current: 3A 125V<sup>~</sup>
3. Insulated resistance:  $\geq 100M\Omega$
4. Contact resistance:  $\leq 100M\Omega$
5. Dielectric strength:  $\geq 500V/5S$
6. Endurance:  $\geq 10000$ 次
7. Ambient temperature: 28T85

<b>TOLERANCE</b> X. XXX $\pm 0.05$ X. XX $\pm 0.15$ X. X $\pm 0.20$ X. $\pm 0.30$ ANGLE $\pm 5.0^\circ$		<b>东莞市恒祺电子科技有限公司</b> Dongguan Hengqi Electronic Technology Co., Ltd		
		<a href="https://www.hq-dz.com">https://www.hq-dz.com</a> phone: 15812872448		
<b>PROTECTON</b> 	<b>TITLE:</b> 按钮开关		<b>PART NO:</b> PBS-314	
	<b>DRAWN:</b>		<b>DRAWING NO:</b> 25.7*9.7	
	<b>CHECKED:</b>	<b>DATE:</b> 18-10-08	<b>UNIT:</b> mm	<b>SCALE:</b> FULL
<b>APPROVED:</b>	<b>DATE:</b> 18-10-08	<b>DATE:</b> 18-10-08	<b>SIZE:</b> A4	