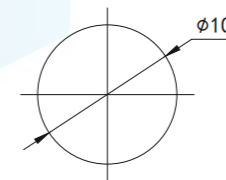
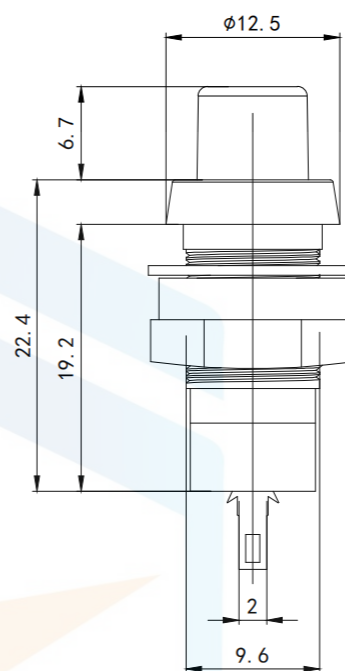
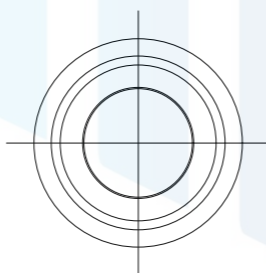
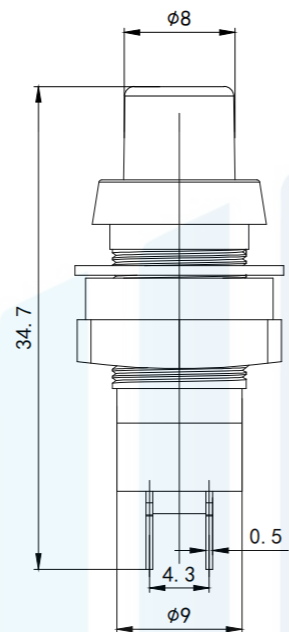


RoHS2.0
Compliant



安装尺寸

The Main hchnology

1. Circuit:
2. Rated voltage: 1A 250V~
Rated current: 1A 250V~
3. Insulated resistance: $\geq 100M\Omega$
4. Contact resistance: $\leq 100M\Omega$
5. Dielectric strength: $\geq 500V/5S$
6. Endurance: ≥ 10000 次
7. Ambient temperature: T85

TOLERANCE X. XXX ± 0.05 X. XX ± 0.15 X. X ± 0.20 X. ± 0.30 ANGLE $\pm 5.0^\circ$		东莞市恒祺电子科技有限公司 Dongguan Hengqi Electronic Technology Co., Ltd	
		https://www.hq-dz.com phone: 15812872448	
PROTECTON 	TITLE: 按钮开关		PART NO: PBS-211
	DRAWN:		DRAWING NO: 34.7*12.5
	CHECKED:	DATE: 18-10-08	UNIT: mm
APPROVED:	DATE: 18-10-08	SCALE: FULL	
		DATE: 18-10-08	SIZE: A4