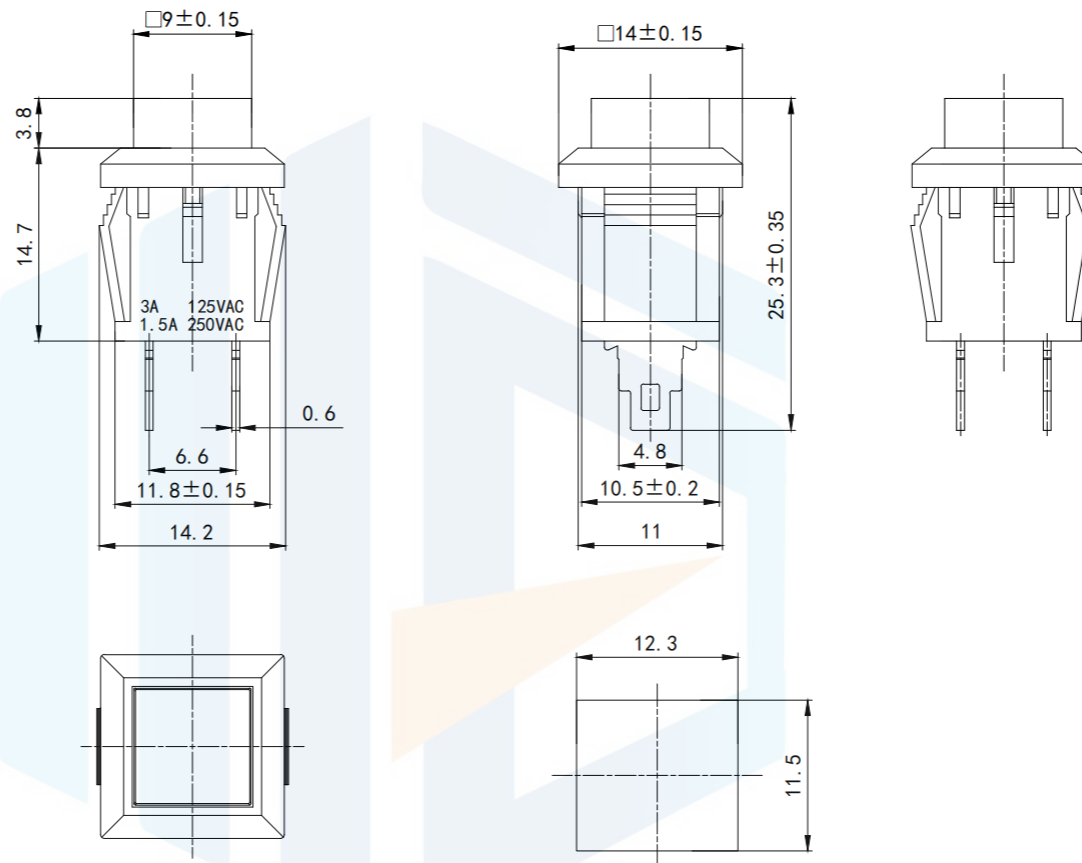


RoHS2.0
Compliant



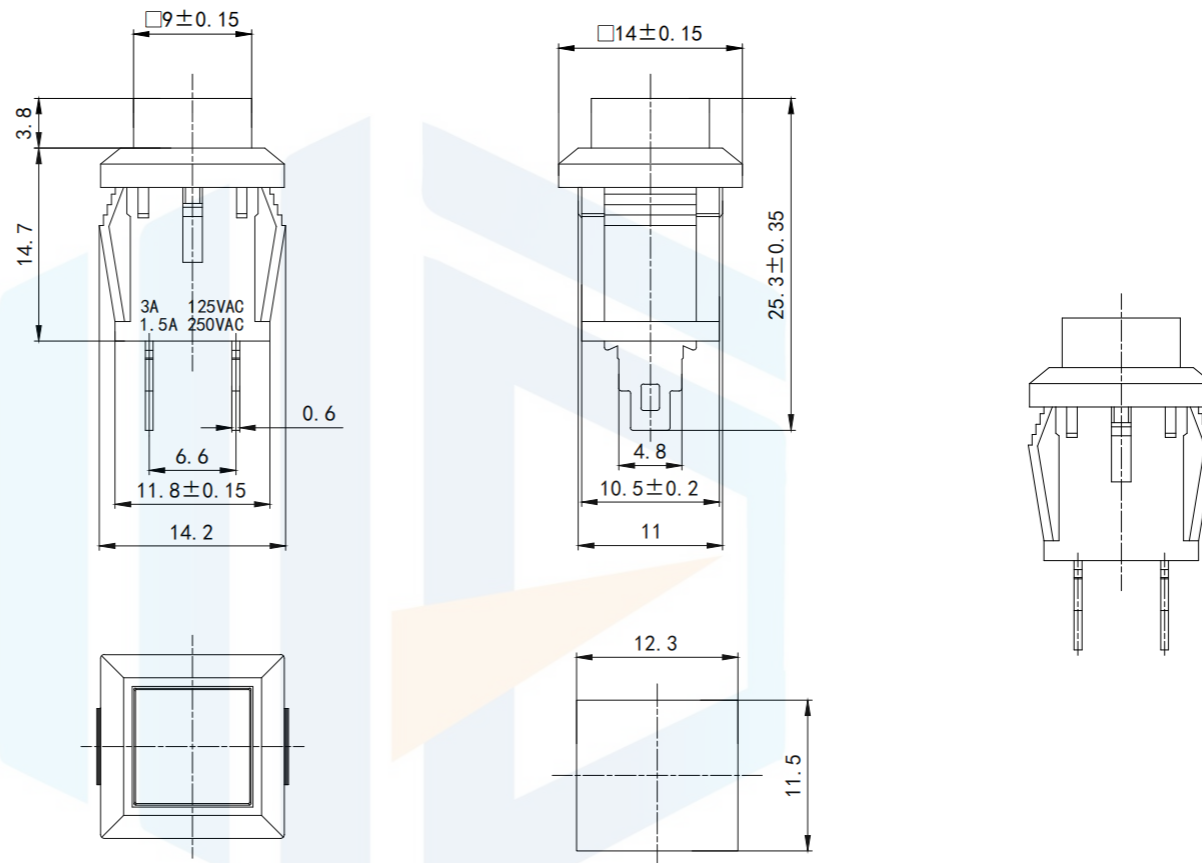
安装尺寸

The Main hchnology

1. Circuit:
2. Rated voltage: 1.5A 250V[~]
Rated current: 3A 125VAC[~]
3. Insulated resistance: $\geq 100M\Omega$
4. Contact resistance: $\leq 100M\Omega$
5. Dielectric strength: $\geq 500V/5S$
6. Endurance: ≥ 10000 次
7. Ambient temperature: T85

TOLERANCE	X. XXX	±0.05		东莞市恒祺电子科技有限公司		
	X. XX	±0.15		Dongguan Hengqi Electronic Technology Co., Ltd		
X. X	±0.20		https://www.hq-dz.com		phone:15812872448	
X.	±0.30		TITLE: 按钮开关		PART NO:PBS-013按断	
ANGLE	±5.0°				DRAWING NO:14*25.3	
PROTECTON		DRAWN:		DATE:	18-10-08	UNIT: mm
		CHECKED:		DATE:	18-10-08	SCALE: FULL
		APPROVED:		DATE:	18-10-08	SIZE: A4

RoHS2.0
Compliant



The Main hchnology

1. Circuit:
2. Rated voltage: 1.5A 250V[~]
Rated current: 3A 250VAC[~]
3. Insulated resistance: $\geq 100M\Omega$
4. Contact resistance: $\leq 100M\Omega$
5. Dielectric strength: $\geq 500V/5S$
6. Endurance: ≥ 10000 次
7. Ambient temperature: T85

安装尺寸

TOLERANCE X. XXX ± 0.05 X. XX ± 0.15 X. X ± 0.20 X. ± 0.30 ANGLE $\pm 5.0^\circ$		东莞市恒祺电子科技有限公司 Dongguan Hengqi Electronic Technology Co., Ltd	
		https://www.hq-dz.com phone: 15812872448	
PROTECTON 	TITLE: 按钮开关		PART NO: PBS-013接通
			DRAWING NO: 14*25.3
	DRAWN:	DATE: 18-10-08	UNIT: mm
CHECKED:	DATE: 18-10-08	SCALE: FULL	
APPROVED:	DATE: 18-10-08	SIZE: A4	