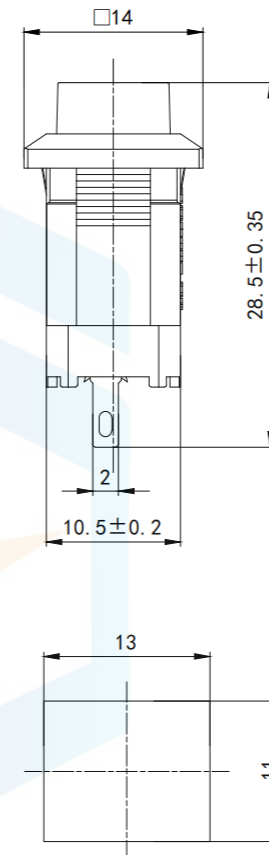
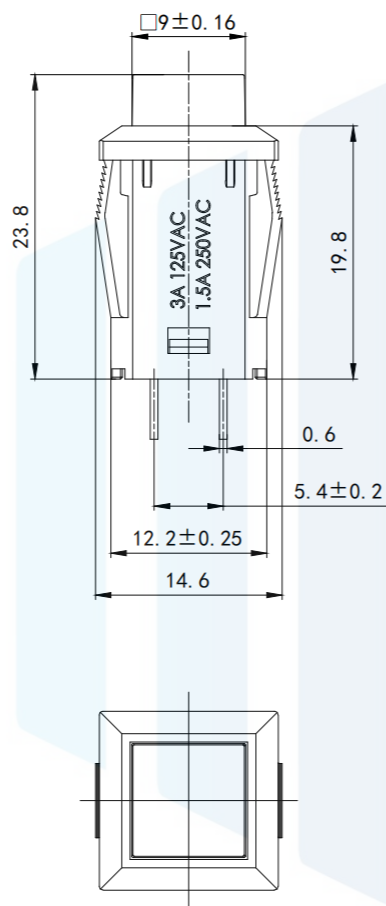
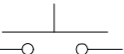



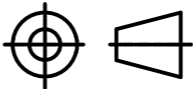
RoHS2.0
Compliant



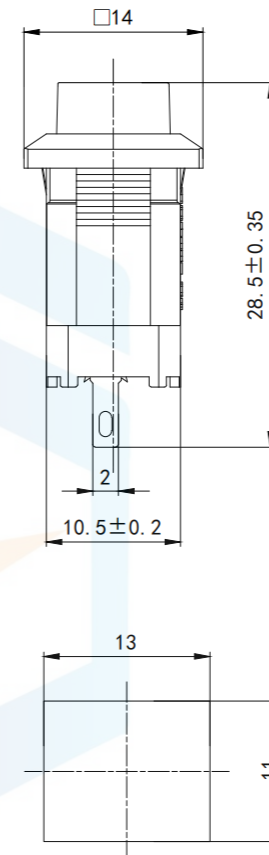
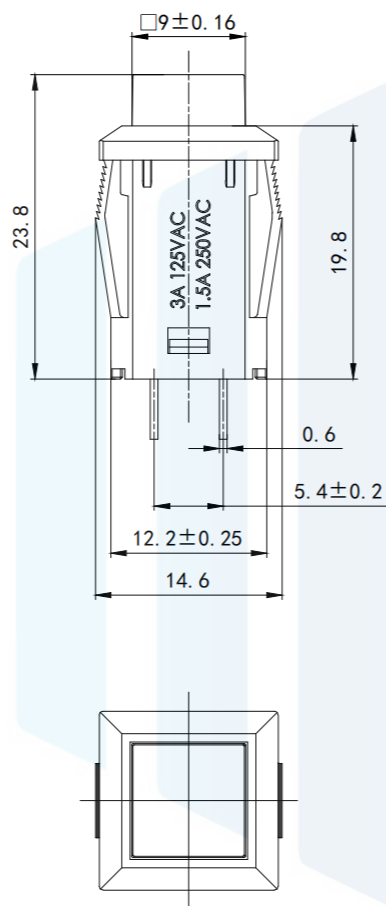
安装尺寸

The Main hchnology

1. Circuit: 
2. Rated voltage: 1.5A 250V[~]
Rated current: 3A 125V[~]
3. Insulated resistance: $\geq 100M\Omega$
4. Contact resistance: $\leq 100M\Omega$
5. Dielectric strength: $\geq 500V/5S$
6. Endurance: ≥ 10000 次
7. Ambient temperature: T85

TOLERANCE	X. XXX	±0.05		东莞市恒祺电子科技有限公司	
	X. XX	±0.15		Dongguan Hengqi Electronic Technology Co., Ltd	
X. X	±0.20		https://www.hq-dz.com		phone: 15812872448
X.	±0.30		TITLE: 按钮开关		PART NO: PBS-12A接通
ANGLE	±5.0°				DRAWING NO: 14*28.5
PROTECTON 	DRAWN:		DATE:	18-10-08	UNIT: mm
	CHECKED:		DATE:	18-10-08	SCALE: FULL
	APPROVED:		DATE:	18-10-08	SIZE: A4

RoHS2.0
Compliant



安装尺寸

The Main hchnology

1. Circuit:
2. Rated voltage: 1.5A 250V[~]
Rated current: 3A 125V[~]
3. Insulated resistance: $\geq 100M\Omega$
4. Contact resistance: $\leq 100M\Omega$
5. Dielectric strength: $\geq 500V/5S$
6. Endurance: ≥ 10000 次
7. Ambient temperature: T85

TOLERANCE	X. XXX	±0.05		东莞市恒祺电子科技有限公司	
	X. XX	±0.15		Dongguan Hengqi Electronic Technology Co., Ltd	
X. X	±0.20		https://www.hq-dz.com		phone:15812872448
X.	±0.30		TITLE: 按钮开关		PART NO: PBS-12A按断
ANGLE	±5.0°				DRAWING NO:14*28.5
PROTECTON 	DRAWN:		DATE:	18-10-08	UNIT: mm
	CHECKED:		DATE:	18-10-08	SCALE: FULL
	APPROVED:		DATE:	18-10-08	SIZE: A4