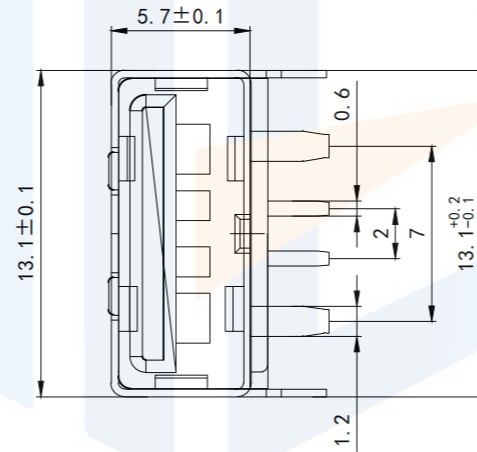
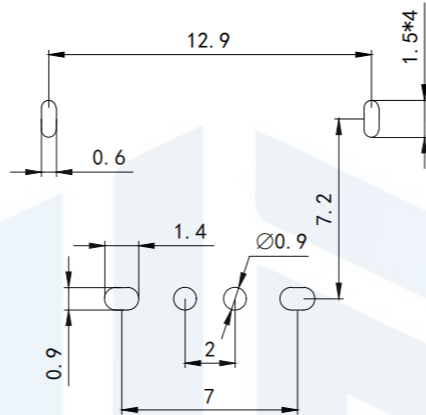
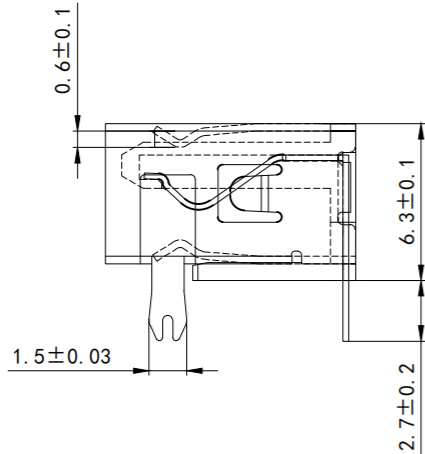
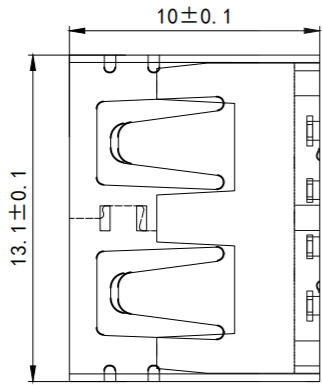
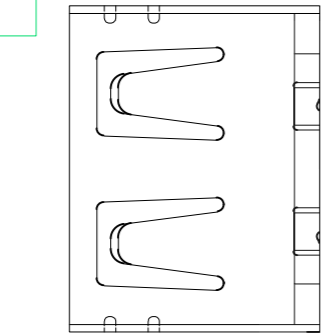


RoHS2.0
Compliant



Specifications:

Electrical:


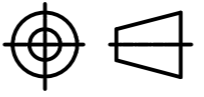
1. Current Rating: 3.0A/contact terminal
2. Working Voltage: Voltage Rating: 30V DC
3. Resistance: Contact: 30 milliohms MAX
4. Dielectric Withstanding Voltage: 500 VAC AT Sea Level
5. Insulation Resistance: 1000MEGA ohmsMIN

Physical Properties: Mechanical:

1. Connector Mating Force: 3.57kgf (MAX)
Unmating force: 1.02kgf (MIN)
2. Terminal Retention: 1.0kgf (MIN)

Raw Materials: Material:

1. Housing: Thermoplastics
2. Good: Contact: Copper Alloy C2680
3. Shell: Copper Alloy C2680/SPCC Plating: Finish:
 - 1. Contact: Plated Gold in Mating Area; The Tin On Solder Tails
 - 2. Shell: terminals are plated with 0-50U" (MIN) nickel bottom around the perimeter and brushed gold 1U"
 - The iron case is surrounded by 50-80U (MIN) nickel plating

TOLERANCE X. XXX ±0.05 X. XX ±0.15 X. X ±0.20 X. ±0.30 ANGLE ±5.0°	 东莞市恒祺电子科技有限公司 Dongguan Hengqi Electronic Technology Co., Ltd	https://www.hq-dz.com phone:15812872448	
		TITLE: USB A/F6. 3前脚直边90度大电流	
PROTECTON 	DRAWN:	DATE: 18-10-08	UNIT: mm
	CHECKED:	DATE: 18-10-08	SCALE: FULL
	APPROVED:	DATE: 18-10-08	SIZE: A4
PART NO: USB2.0-B063		DRAWING NO: 13.1*10.0*5.7	