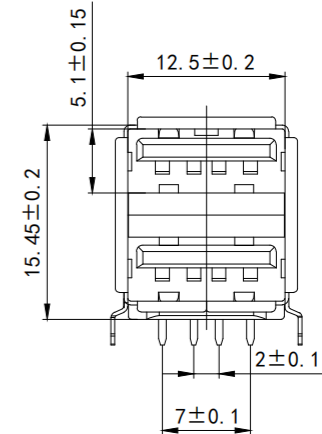
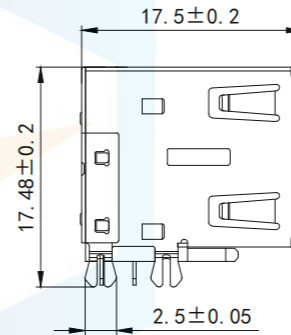
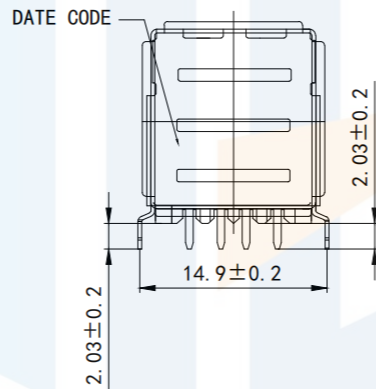
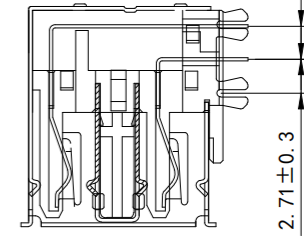
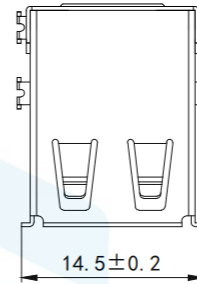
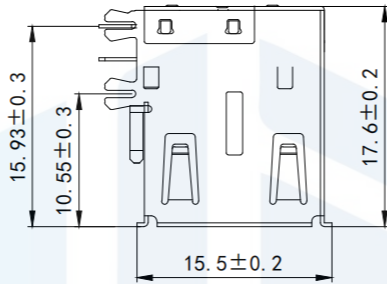
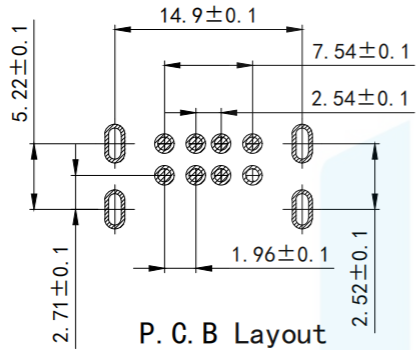


RoHS2.0
Compliant



Specifications.

Electrical:

1. Rated current: Current Rating 1.5A/contact terminal
2. Rated voltage: Voltage Rating 30V DC
3. Contact Resistance: 30 milliohms MAX
4. Withstand voltage: Dielectric Withstanding Voltage 500 V AC AT Sea Level
5. Insulation Resistance: 1000 MEGA ohms MIN
6. Salt spray: 48H

Physical Properties: Mechanical:

1. Insertion and Extraction Force: Connector Mate and Unmate Force
2. Terminal Retention: Terminal Retention
3. 5.7kgf (MAX) Unmate force: 1.02kgf (MIN)
4. 10K9K (MIN)

Raw Material: Material.

1. Looking: Housing: Hing Temperature Tnermaplastics LCP/Black
2. Terminal: Contact: Copper Alloy C2680
Plated Gold in Mating Area,
Tin On Solder Talls
3. Shell: Copper Alloy BRASS Nickel Plating

TOLERANCE			东莞市恒祺电子科技有限公司		
X. XXX	±0.05		Dongguan Hengqi Electronic Technology Co., Ltd		
X. XX	±0.15	https://www.hq-dz.com		phone: 15812872448	
X. X	±0.20	TITLE:		PART NO: USB2.0-A583	
X.	±0.30	USB A/F 90度双层卷边鱼叉脚		DRAWING NO: 17.6*15.5*14.5	
ANGLE	±5.0°				
PROTECTON		DRAWN:	DATE:	18-10-08	UNIT: mm
		CHECKED:	DATE:	18-10-08	SCALE: FULL
		APPROVED:	DATE:	18-10-08	SIZE: A4