

RoHS2.0
Compliant

Specifications:

Electrical:

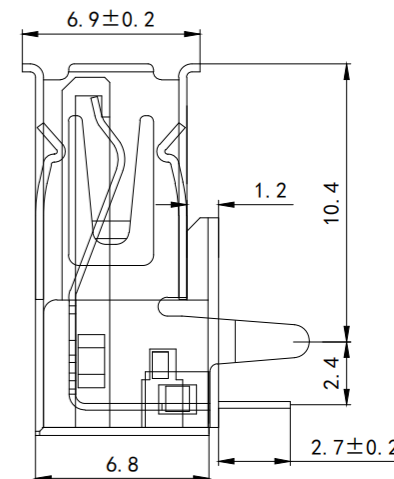
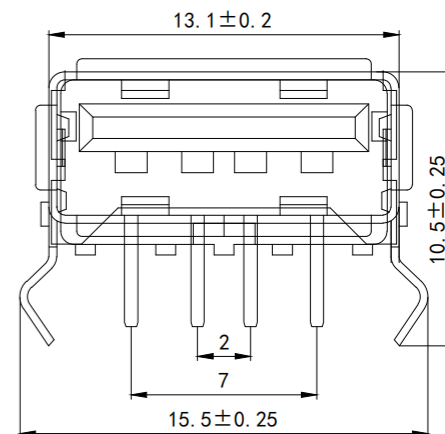
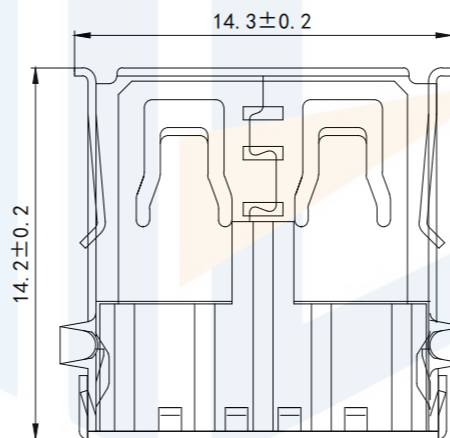
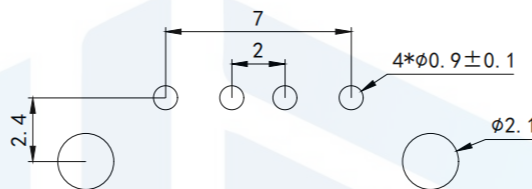
1. Current Rating
3.0A/contact terminal
2. Voltage Rating
30V DC
3. Contact RESISTANCE
30 milliohms MAX
4. Dielectric Withstanding Voltage:
500 V AC AT Sea Level
5. Insulation Resistance:
1000MEGA ohms MIN

Mechanical:

1. Connector Mate and Unmate Force
Mate force: 3.57kgf (MAX)
Unmate force: 1.02kgf (MIN)
2. Terminal Retention
1.0kgf (MIN)

Material:

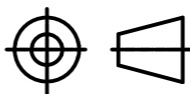
1. Housing:
High Temperature Thermoplastics,
 2. Contact: Copper Alloy C2680
 3. Shell: SPCC
- Finish:
1. Contact: Plated Gold in Mating Area
Tin On Solder Tails
- 50U(MIN) nickel is plated around the terminal, half gold tin 1U
2. Burning :Shell: 80U "(MIN) nickel is plated around the shell
- Nickel Plating



TOLERANCE

X. XXX	±0.05
X. XX	±0.15
X. X	±0.20
X.	±0.30
ANGLE	±5.0°

PROTECTION



东莞市恒祺电子科技有限公司

Dongguan Hengqi Electronic Technology Co., Ltd

<https://www.hq-dz.com>

phone: 15812872448

TITLE:

USB A/F板上90度卷边弯脚

PART NO: USB2.0-A017

DRAWING NO: 14.2*14.3*6.9

DRAWN:

DATE:

18-10-08

UNIT:
mm

CHECKED:

DATE:

18-10-08

SCALE:
FULL

APPROVED:

DATE:

18-10-08

SIZE:
A4