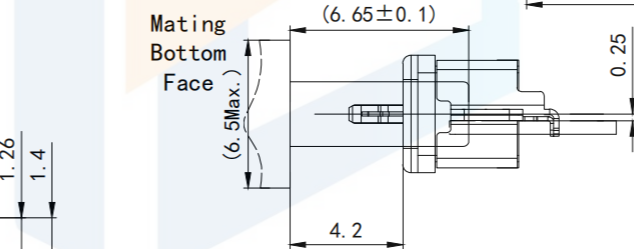
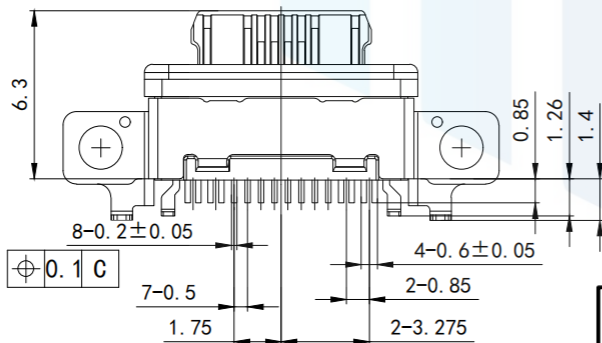
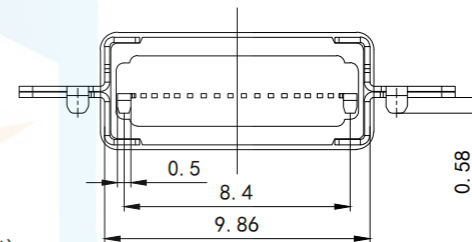
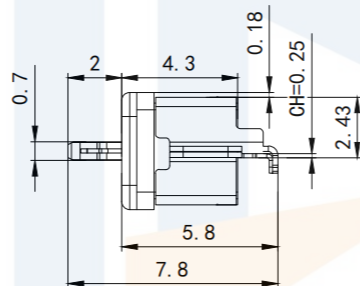
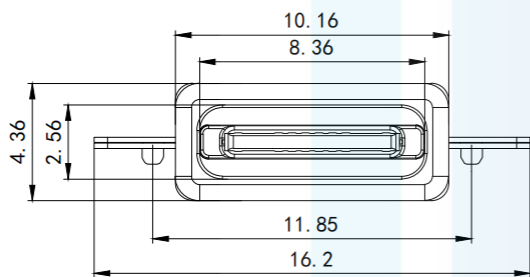
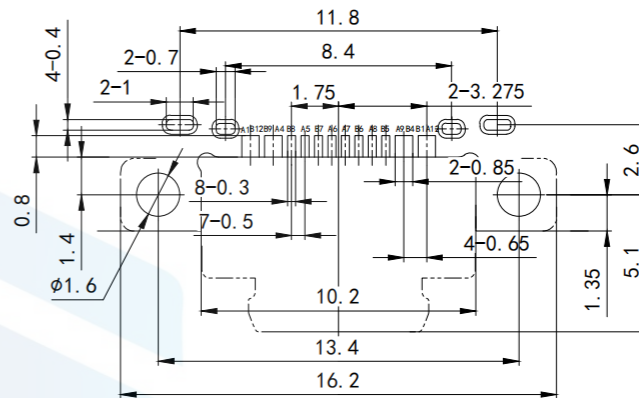
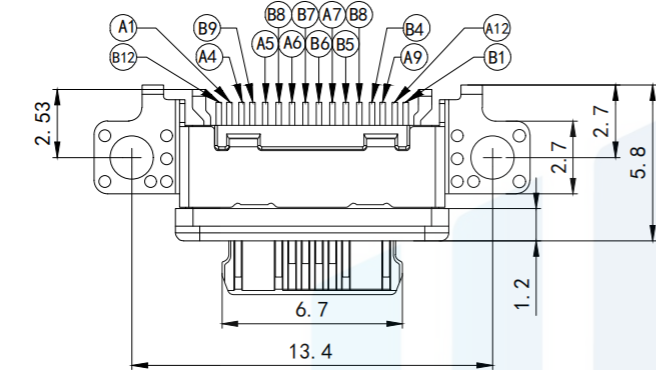
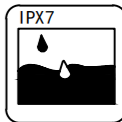


RoHS2.0
Compliant



Mated Condition (REF)

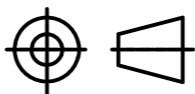
NOTES:

1. CURRENT RATING: 3.0A MAX
2. VOLTAGE: 100V AC
3. TEMPERATURE RANGE: -30°C~85°C:
4. CONTACT RESISTANCE: 40 MILLIONHM MAX.
5. INSULATION RESISTANCE: 100MΩ MIN. 00N
6. INSERTION FORCE: 5N~20N
7. NMATING FORCE: 8N~20N
8. DURABILITY: 10,000 CYCLES MIN

TOLERANCE

X. XXX	±0.05
X. XX	±0.15
X. X	±0.20
X.	±0.30
ANGLE	±5.0°

PROTECTON



东莞市恒祺电子科技有限公司
Dongguan Hengqi Electronic Technology Co., Ltd

<https://www.hq-dz.com> phone: 15812872448

TITLE:
TYPE C 16PIN沉板1.93双耳
舌头外露2.0 Mi11

PART NO: TYPE-C16P-CB011FS

DRAWING NO: 16.2*4.36*5.8

DRAWN:
CHECKED:
APPROVED:

DATE: 18-10-08
DATE: 18-10-08
DATE: 18-10-08

UNIT: mm
SCALE: FULL
SIZE: A4