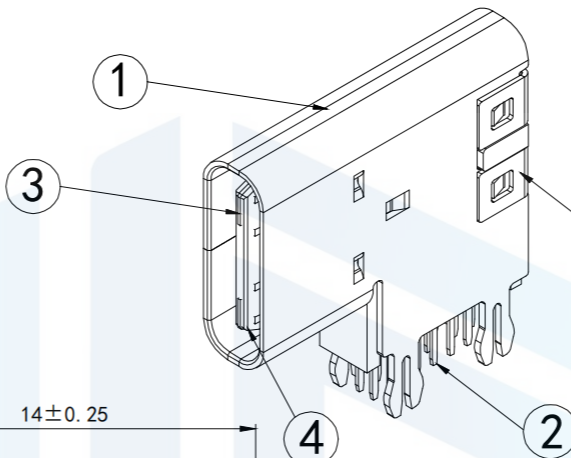
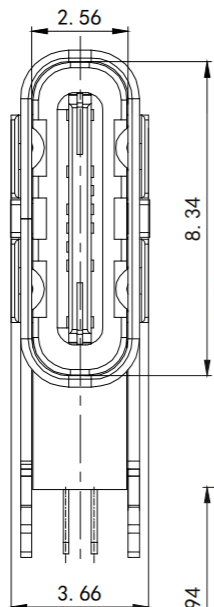
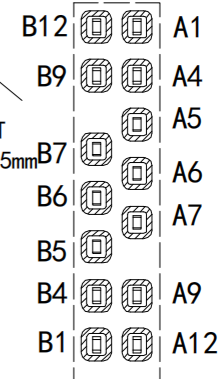
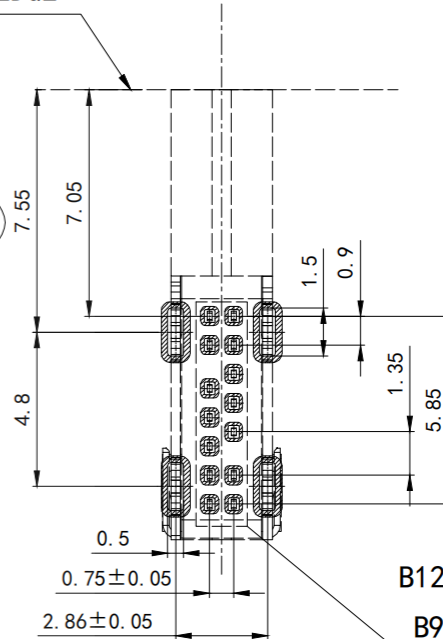


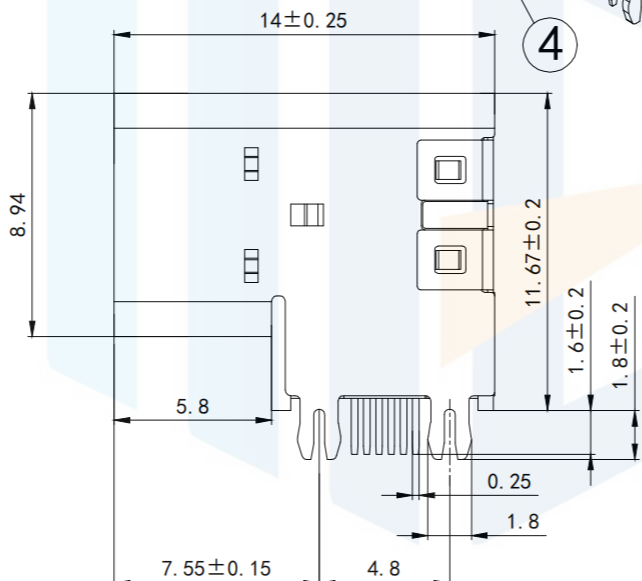
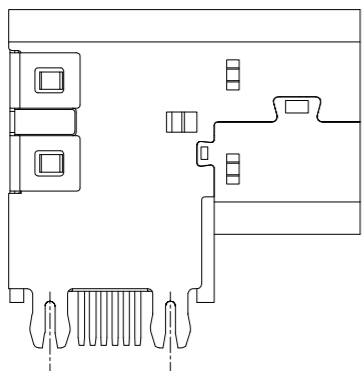
RoHS2.0
Compliant ✓



PCB EDGE



RECOMMENDED P. C. B. LAYOUT
TOLERANCE UNSPECIFIED +0.05mm



SPECIFICATIONS:

1. ELECTRICAL CHARACTERISTICS:

1-1, CONTACT RESISTANCE: 30mS2 MAX.

1-2. DIELECTRIC WITHSTANDING VOLTAGE: 100V AC FOR ONE MINUTE

1-3. INSULATION RESISTANCE: 100MΩ MIN. MEASURED BY 500 VDC

2. MECHANICAL CHARACTERISTICS:

2-1. INSERTION FORCE : 0.5-2.0Kgf (REF.)

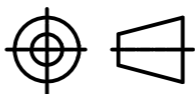
2-2. WITHDRAWAL FORCE : 0.8-2.0Kgf (REF,)

3. LIFE TEST: 10,000 CYCLES

TOLERANCE

| | |
|--------|-------|
| X. XXX | ±0.05 |
| X. XX | ±0.15 |
| X. X | ±0.20 |
| X. | ±0.30 |
| ANGLE | ±5.0° |

PROTECTION



东莞市恒祺电子科技有限公司

Dongguan Hengqi Electronic Technology Co., Ltd

<https://www.hq-dz.com>

phone: 15812872448

TITLE:

TYPE C 14P侧插基座垫高

PART NO: TYPE-C14P-CC014

DRAWING NO: 14*11.67*3.16

DRAWN:

CHECKED:

APPROVED:

DATE:

DATE:

DATE:

18-10-08

18-10-08

18-10-08

UNIT:
mm

SCALE:
FULL

SIZE:
A4