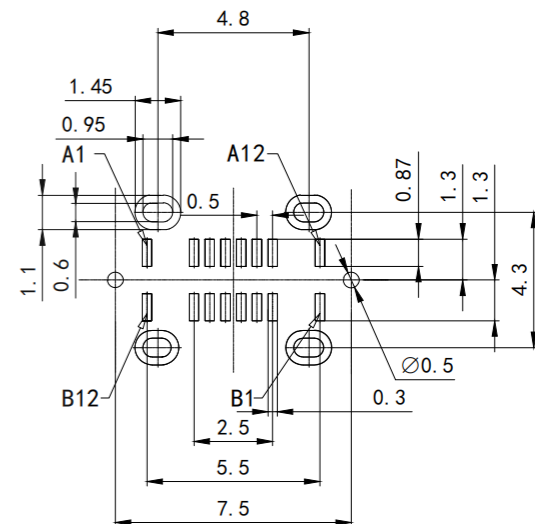
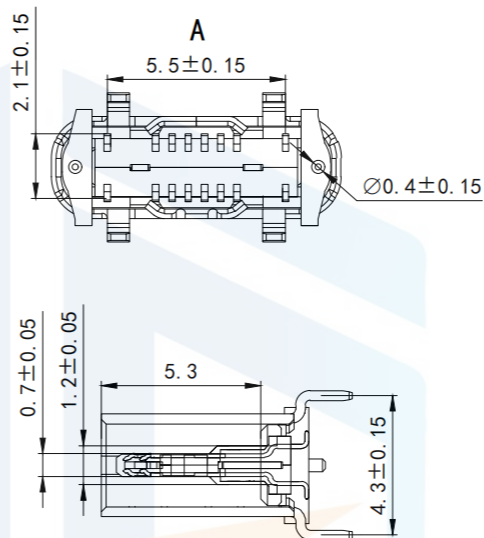
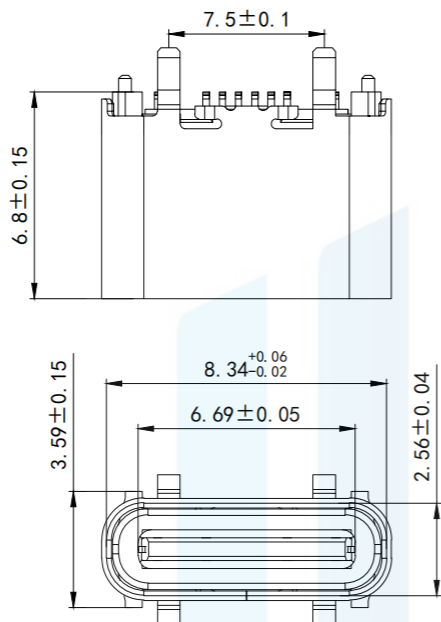
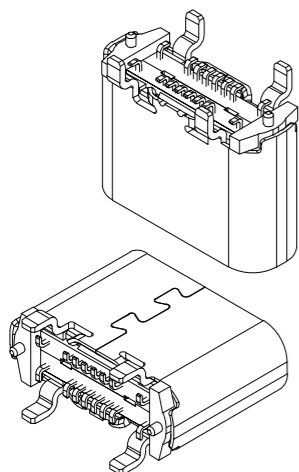
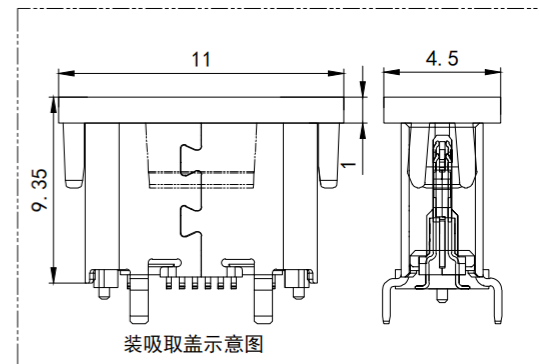


RoHS2.0
Compliant



Recomanded PCB LAYIUT
TOLANCE: ±0.05



remark

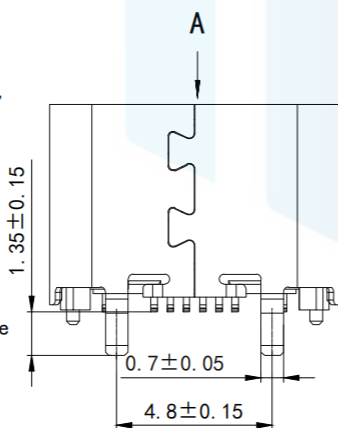
1. Material:
 - 1.1 Core: LCP+30%G.F UL94V-0
 - 1.2 Terminal: high conductivity copper C7025, T=0.15mm; BOTTOM 50U"MIN,

Gold plated in the contact area (AU1u) and gold plated G/F in the solder area

- 1.3 Shell: SUS304, T=0.30mm; TABLE WHITE NICKEL PLATING 50U"MIN
- 1.4 Middle clip: SUS304, T=0.15mm:

2. Main features:
 - 2.1 Rated current: 5A
 - 2.2 Press impedance: 40mΩ MAX (initial value 50mΩ MAX (post-test))
 - 2.3 DIMENSIONAL EDGE IMPEDANCE: 100M2 MIN
 - 2.4 K resistance test: 100V AC R. M. S.
 - 2.6 Overall insertion force: 5-20N (after durability) Overall insertion force: 5-20N Overall pull-out force: 8-20N Overall pull-out force: 6-20N (after resistance)
 - 2.7 Durability: 10000 times
 - 2.8 High temperature resistance: SMT reflow soldering (peak 260+5°), plastic can not be blistered,

- 2.9 The product must be soldered test, and the tin area should reach more than 95%.
- 3.0 SALT RACE TEST: 48H MIN
- 3.1T operating temperature: -30° C~+85 ° C

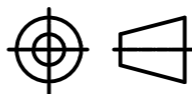


A1	CND	B12	CND
A4	VBUS	B9	VBUS
A5	CC1	B8	SBU2
A6	DP1	B7	DN2
A7	DN1	B6	DP2
A8	SBU1	B5	CC2
A9	VBUS	B4	VBUS
A12	CND	B1	CND
PIN	SIGBAL NAME	PIN	SIGBAL NAME

TOLERANCE

X. XXX	±0.05
X. XX	±0.15
X. X	±0.20
X.	±0.30
ANGLE	±5.0°

PROTECTON



东莞市恒祺电子科技有限公司

Dongguan Hengqi Electronic Technology Co., Ltd

<https://www.hq-dz.com>

phone:15812872448

TITLE:

TYPE C 16P立贴L=6.8
脚长1.35

PART NO:TYPE-C16P-BS068

DRAWING NO:68*8.34*3.16

DRAWN:

DATE:

18-10-08

UNIT:
mm

CHECKED:

DATE:

18-10-08

SCALE:
FULL

APPROVED:

DATE:

18-10-08

SIZE:
A4