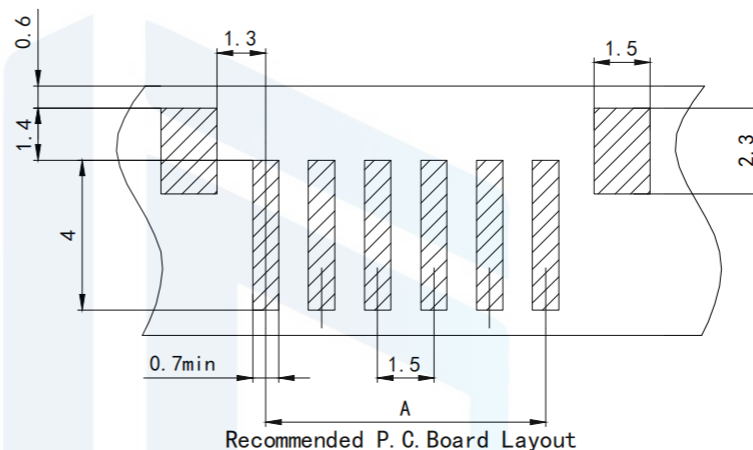
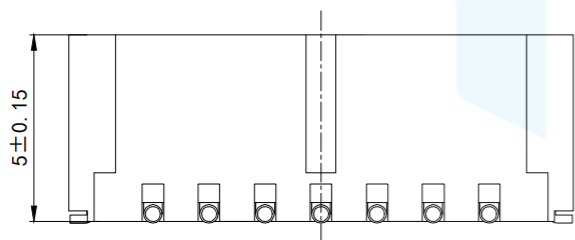
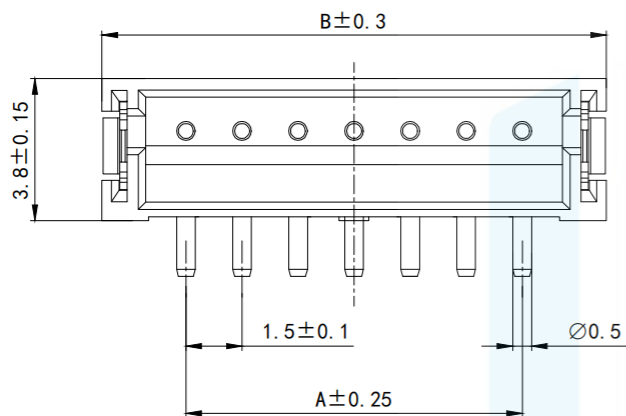
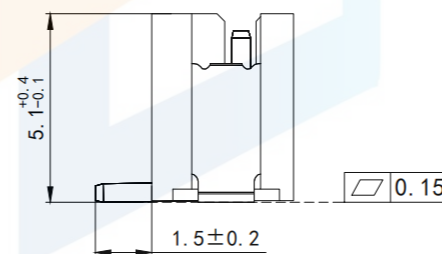


RoHS2.0
Compliant



孔数	型号	尺寸 (mm)	
		A	B
2	1.5-2ALT	1.5	6.0
3	1.5-3ALT	3.0	7.5
4	1.5-4ALT	4.5	9.0
5	1.5-5ALT	6.0	10.5
...
16	1.5-16ALT	22.5	27.0



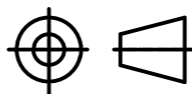
Specifications:

1. Current rating: 1A
2. Voltage rating: 50V AC, DC
3. Insulation Resistance: 500M Min.
4. Dielectric Withstanding: 500V AC 1Minne
5. Contact Resistance: 20m2 Max.
6. Operating Temperature: -25°C to $+85^{\circ}\text{C}$
7. Materials: Contact Material: Bronze (Sn plating)
8. Soldering Terminal: Bronze (Sn plating)
9. Insulation Material: LCP UL94V-0

TOLERANCE

X. XXX	± 0.05
X. XX	± 0.15
X. X	± 0.20
X.	± 0.30
ANGLE	$\pm 5.0^{\circ}$

PROTECTON



东莞市恒祺电子科技有限公司

Dongguan Hengqi Electronic Technology Co., Ltd

<https://www.hq-dz.com>

phone: 15812872448

TITLE:

针座

PART NO: ZH-1.5立贴-XXX

DRAWING NO: 1*1.5*针位

DRAWN:

DATE:

18-10-08

UNIT:
mm

CHECKED:

DATE:

18-10-08

SCALE:
FULL

APPROVED:

DATE:

18-10-08

SIZE:
A4