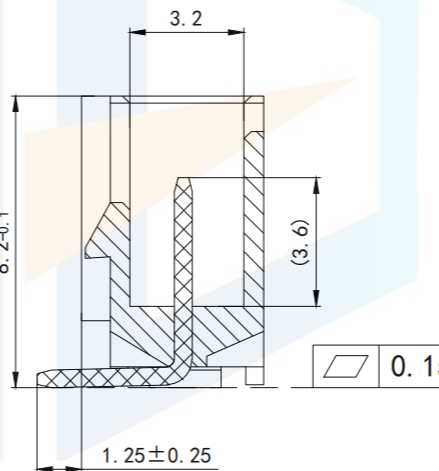
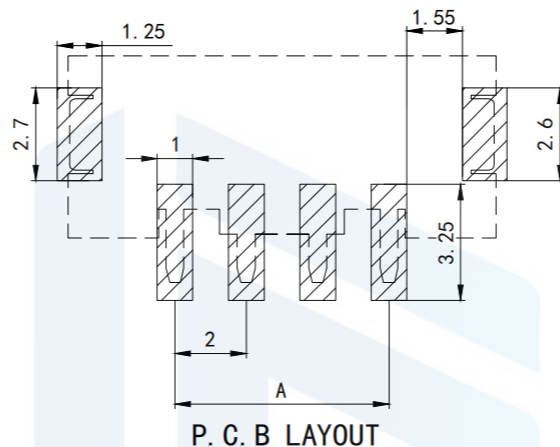
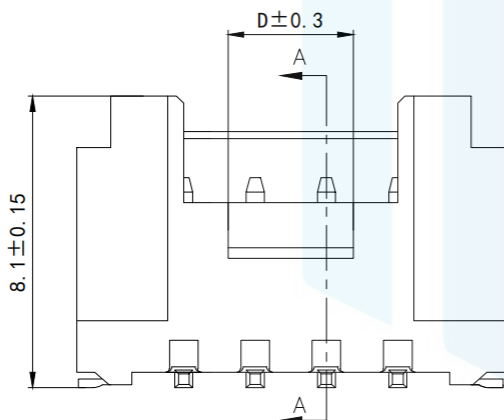
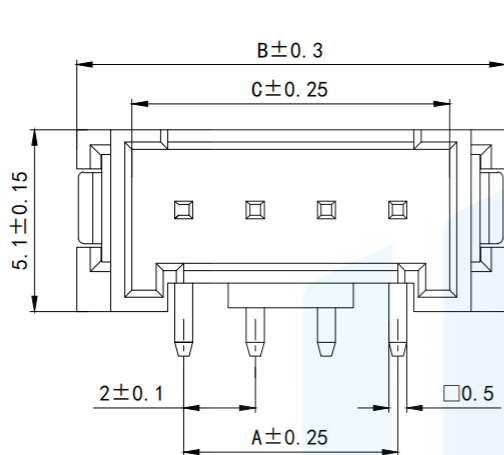
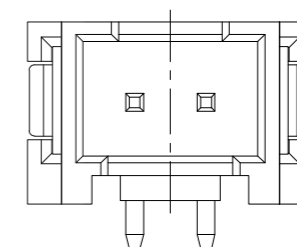


RoHS2.0
Compliant



PIN数	尺寸 (mm)			
	A	B	C	D
2	2.0	8.0	4.9	2.8
3	4.0	10.0	6.9	3.0
4	6.0	12.0	8.9	3.5
5	8.0	14.0	10.9	5.5
6	10.0	16.0	12.9	7.5
7	12.0	18.0	14.9	9.5
8	14.0	20.0	16.9	11.5
9	16.0	22.0	18.9	13.5
10	18.0	24.0	20.9	15.5
11	20.0	26.0	22.9	17.5
12	22.0	28.0	24.9	19.5
13	24.0	30.0	26.9	21.5
14	26.0	32.0	28.9	23.5
15	28.0	34.0	30.9	25.5
16	30.0	36.0	32.9	27.5



PHB-2ALT

Specifications:

1. Current rating: 2A
2. Voltage rating: 100V AC, DC
3. Insulation Resistance: 1000M Min.
4. Dielectric Withstanding: 800V AC 1Min
5. Contact Resistance: 20m Ω Max.
6. Operating Temperature: -25°C to +85°C
7. Materials: Contact Material: Brass (Sn plating)
8. Soldering Terminal: Brass (Sn plating)
9. Insulation Material: LCP UL94V-0

TOLERANCE

X. XXX	±0.05
X. XX	±0.15
X. X	±0.20
X.	±0.30
ANGLE	±5.0°

PROTECTON



东莞市恒祺电子科技有限公司

Dongguan Hengqi Electronic Technology Co., Ltd

<https://www.hq-dz.com>

phone: 15812872448

TITLE:

针座

PART NO: PHB-2.0立贴-XX

DRAWING NO: 2*2.0*针位

DRAWN:

DATE:

18-10-08

UNIT:
mm

CHECKED:

DATE:

18-10-08

SCALE:
FULL

APPROVED:

DATE:

18-10-08

SIZE:
A4