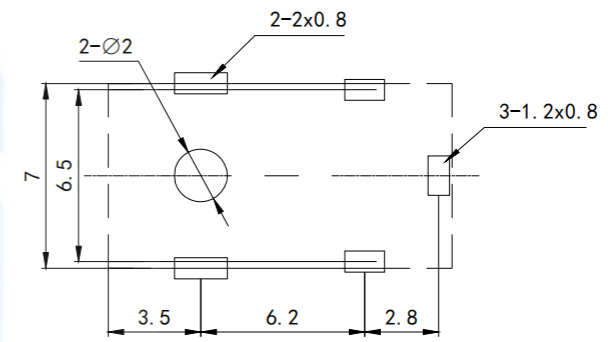
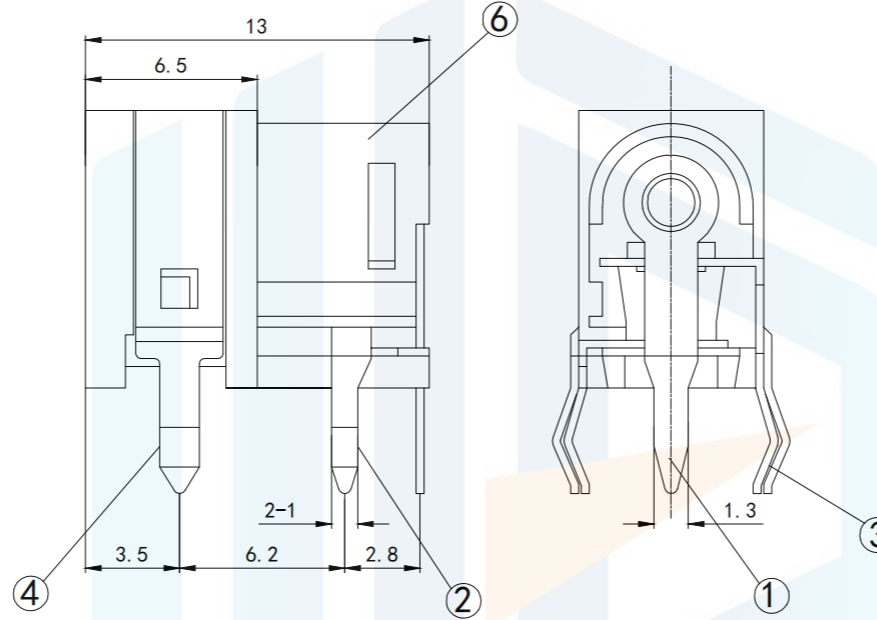
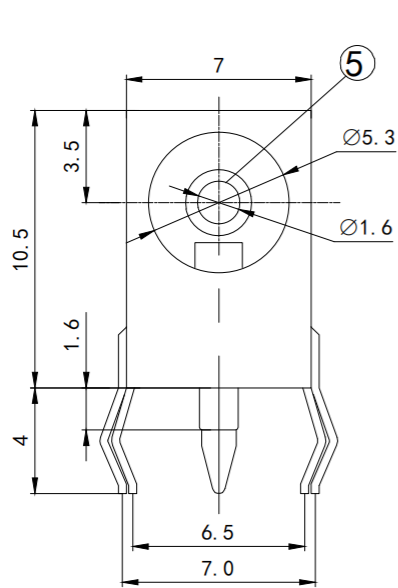
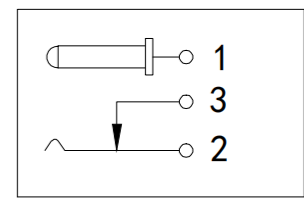


RoHS2.0
Compliant



SCHEMATIC



TOLERANCE: UNLESS OTHERWISE SPECIFIED
 UNORE: 1.5±0.05 | 1.5~10±0.1 | OVER 10±0.2

Technical requirements

1. Rated load: DC 30V 0.5A
2. Contact resistance: $\leq 0.03 \Omega$
3. Insulation resistance: $\geq 100 \Omega$ DC250V
4. Withstand voltage: AC 500V (50Hz)/min
5. Insertion force: 3~20N
6. Mechanical life: 5000 times
7. Operation temperature range: -30°C~70°C

TOLERANCE X. XXX ± 0.05 X. XX ± 0.15 X. X ± 0.20 X. ± 0.30 ANGLE $\pm 5.0^\circ$		东莞市恒祺电子科技有限公司 Dongguan Hengqi Electronic Technology Co., Ltd		
		https://www.hq-dz.com phone: 15812872448		
PROTECTON 	TITLE: DC电源插座		PART NO: DC-064	
			DRAWING NO: 13*7*10.5	
	DRAWN:		DATE: 18-10-08	UNIT: mm
CHECKED:		DATE: 18-10-08	SCALE: FULL	
APPROVED:		DATE: 18-10-08	SIZE: A4	