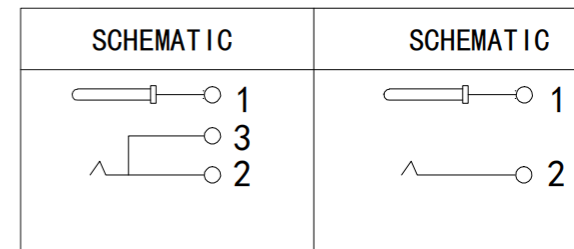
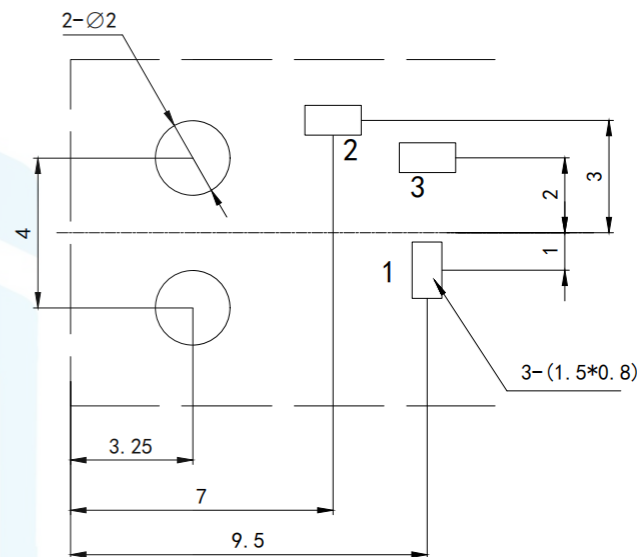
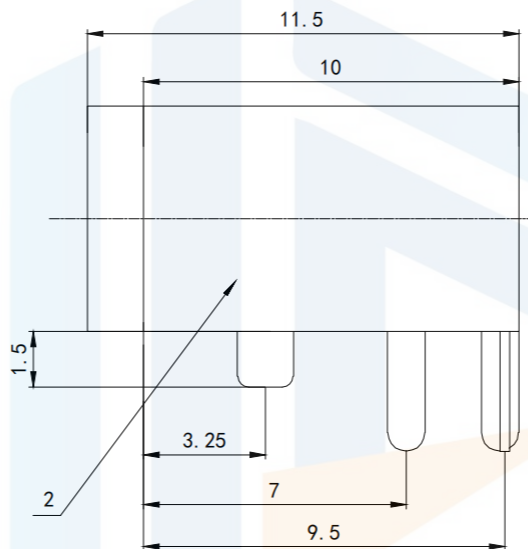
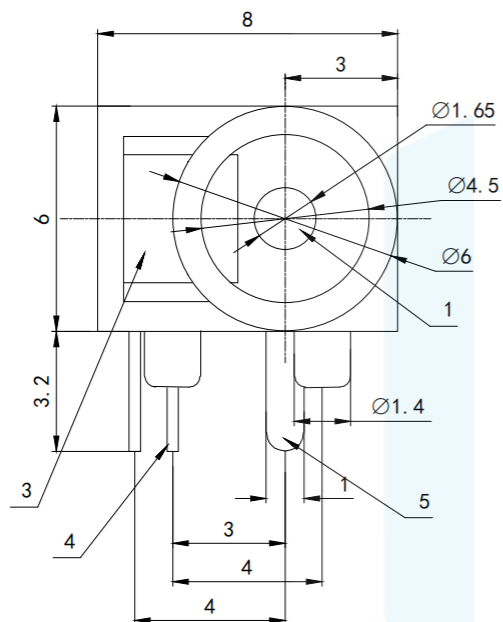


RoHS2.0
Compliant



Main technical requirements:

1. No Linear Tolerance:

0.0-10.0mm ± 0.10 mm

10.0-20.0mm ± 0.15 mm

20.0-50.0mm ± 0.20 mm

2. The appearance should be good, without rust, cracks, poor electroplating and other phenomena.

Technical requirements

1. Rated load: DC 30V 0.2A

2. Contact resistance: $\leq 0.03 \Omega$

3. Insulation resistance: $\geq 100 \Omega$ DC250V

4. Withstand voltage: AC 500V (50Hz)/min

5. Insertion force: 3~20N

6. Mechanical life: 5000 times

TOLERANCE

X. XXX ± 0.05

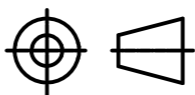
X. XX ± 0.15

X. X ± 0.20

X. ± 0.30

ANGLE $\pm 5.0^\circ$

PROTECTON



东莞市恒祺电子科技有限公司

Dongguan Hengqi Electronic Technology Co., Ltd

<https://www.hq-dz.com>

phone: 15812872448

TITLE:

DC电源插座

PART NO: DC-043

DRAWING NO: 11.5*8*6

DRAWN:

DATE:

18-10-08

UNIT:
mm

CHECKED:

DATE:

18-10-08

SCALE:
FULL

APPROVED:

DATE:

18-10-08

SIZE:
A4