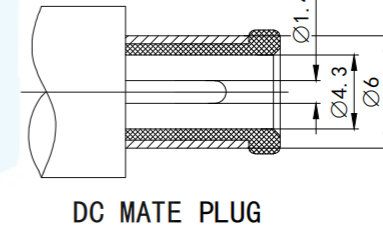
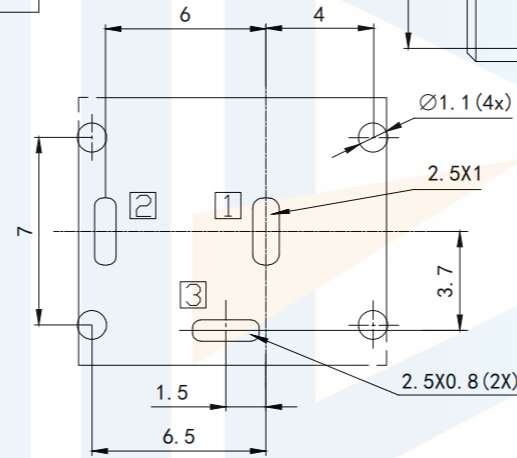
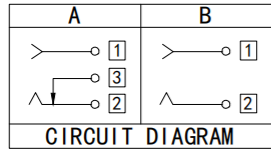
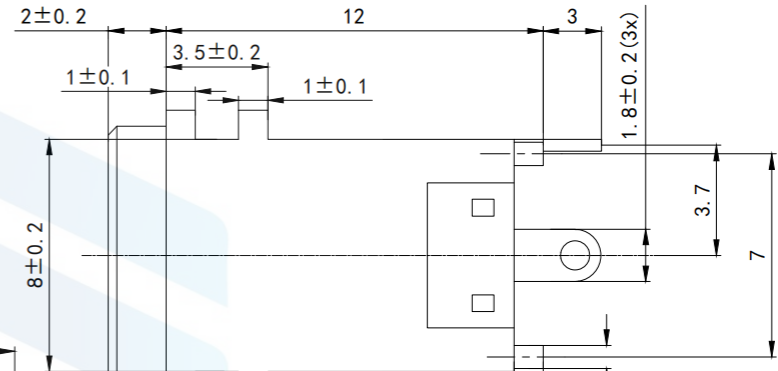
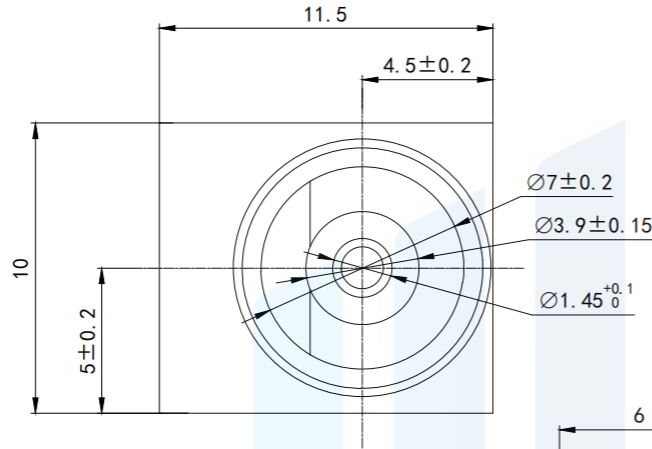
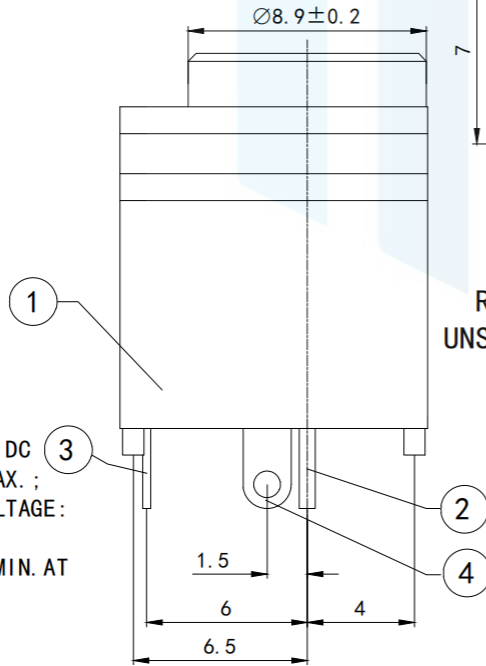


**RoHS2.0**  
Compliant



RECOMMENDED P. C. B LAYOUT  
UNSPECIFIED TOLERANCE: ±0.05  
(BOTTOM VIEW)



- NOTES:
- ELECTRIC CHARACTERISTICS:
    - CONTACT CURRENT RATING: 4A.
    - CONTACT VOLTAGE RATING: 20V DC
    - CONTACT RESISTANCE: 30mΩ MAX. ;
    - DIELECTRIC WITHSTANDING VOLTAGE: 500V AC
    - INSULATION RESISTANCE: 100M MIN. AT DC 500V
  - MECHANICAL CHARACTERISTICS:
    - DURABILITY: 3000 CYCLES.
    - INSERTION AND EXTRACTION FORCE: 2-
      - INSERTION FORCE: 30N MAX
      - EXTRACTION FORCE: 3NMIN
  - ENVIRONMENT CHARACTERISTICS:
    - OPERATING TEMPERATURE: -25°C ~ +85°C
    - HUMIDITY: 45% ~ 85% RH.

<b>TOLERANCE</b> X. XXX ±0.05 X. XX ±0.15 X. X ±0.20 X. ±0.30 ANGLE ±5.0°		东莞市恒祺电子科技有限公司 Dongguan Hengqi Electronic Technology Co., Ltd		
		https://www.hq-dz.com      phone: 15812872448		
<b>PROTECTON</b> 	<b>DRAWN:</b>  <b>CHECKED:</b>  <b>APPROVED:</b>	<b>TITLE:</b> DC电源插座		
		<b>PART NO:</b> DC-037		
		<b>DRAWING NO:</b> 11.5*10*8		
		<b>DATE:</b>	18-10-08	<b>UNIT:</b> mm
		<b>DATE:</b>	18-10-08	<b>SCALE:</b> FULL
		<b>DATE:</b>	18-10-08	<b>SIZE:</b> A4