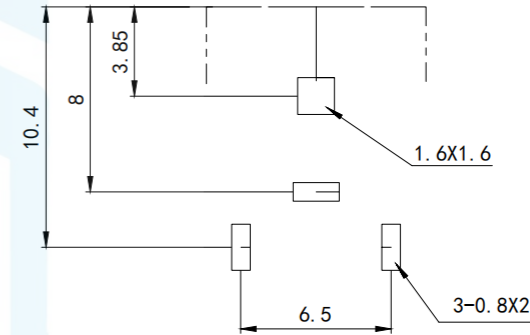
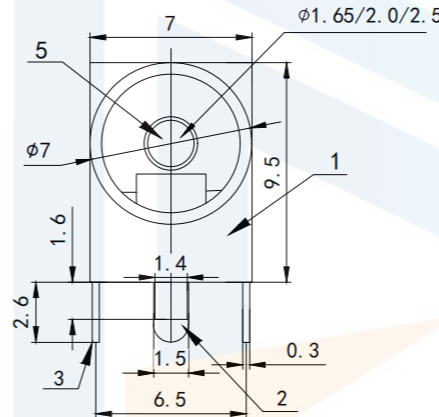
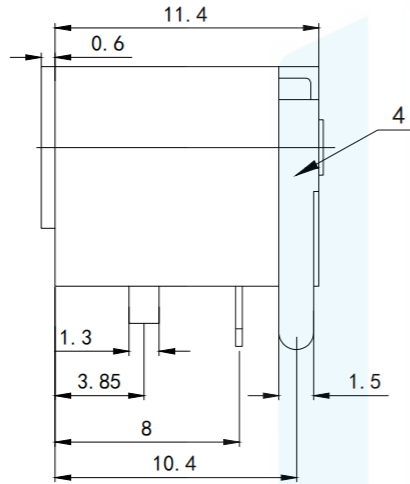
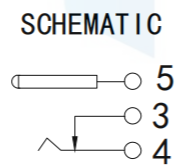


RoHS2.0  
Compliant



Printed circuit board cut-out ruler



Main technical requirements:

- No Linear Tolerance:  
0.0-10.0mm ±0.10mm  
10.0-20.0mm ±0.15mm  
20.0-50.0mm ±0.20mm
- The appearance should be good, without rust, cracks, poor electroplating and other phenomena.

Technical requirements

- Rated load: DC 50V 0.2A
- Contact resistance: ≤0.03 Ω
- Insulation resistance: ≥100Ω DC250V
- Withstand voltage: AC 500V(50Hz)/min
- Insertion force: 3~20N
- Mechanical life: 5000 times

<b>TOLERANCE</b> X. XXX ±0.05 X. XX ±0.15 X. X ±0.20 X. ±0.30 ANGLE ±5.0°		<b>东莞市恒祺电子科技有限公司</b> Dongguan Hengqi Electronic Technology Co., Ltd	
		<a href="https://www.hq-dz.com">https://www.hq-dz.com</a> phone:15812872448	
<b>PROTECTON</b> 	<b>TITLE:</b> DC电源插座		<b>PART NO:</b> DC-036B
	<b>DRAWN:</b>		<b>DRAWING NO:</b> 11.4*7*9.5
	<b>CHECKED:</b>	<b>DATE:</b> 18-10-08	<b>UNIT:</b> mm
<b>APPROVED:</b>	<b>DATE:</b> 18-10-08	<b>SCALE:</b> FULL	
	<b>DATE:</b> 18-10-08	<b>SIZE:</b> A4	