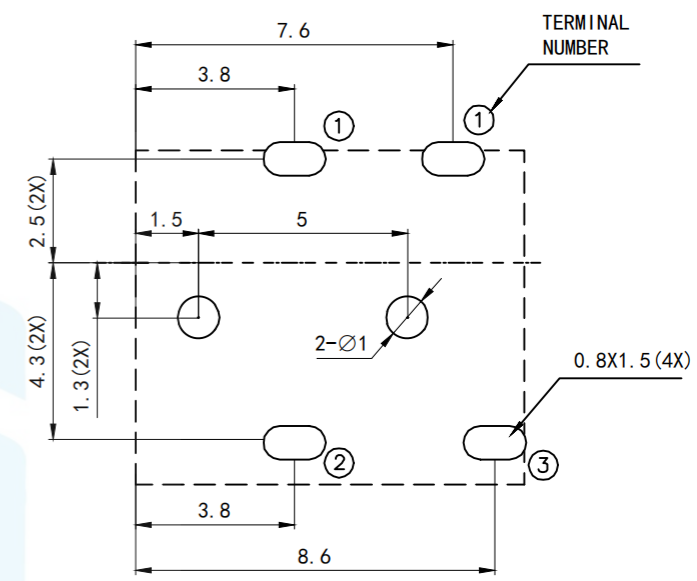
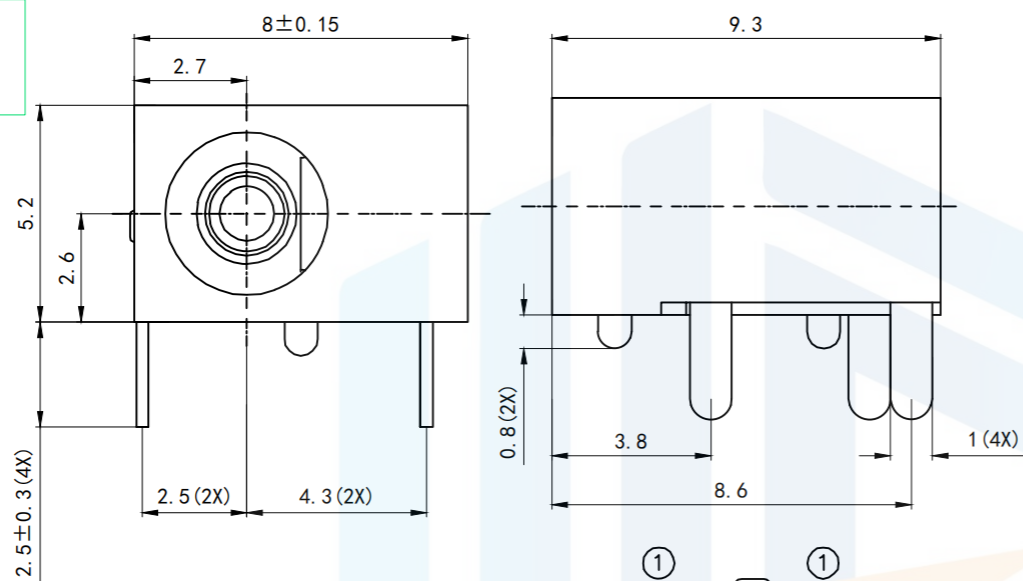
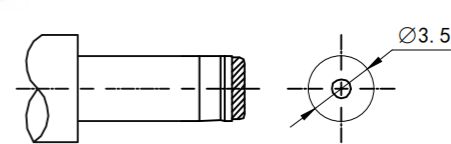


RoHS2.0
Compliant

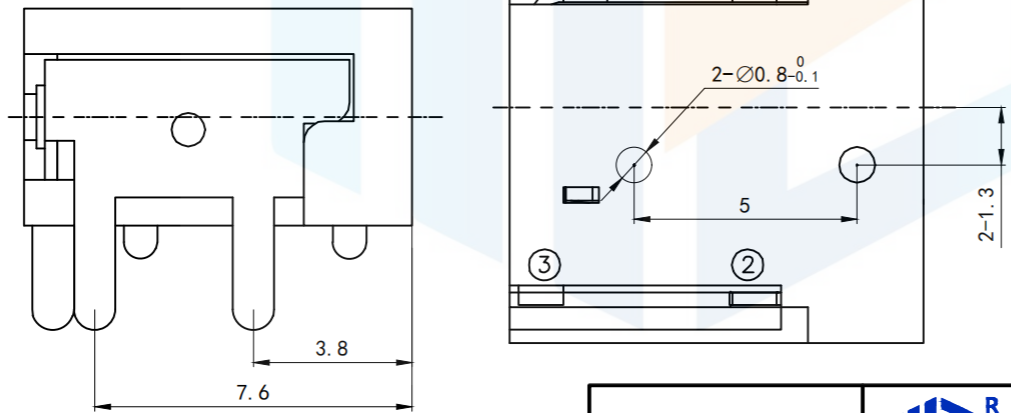
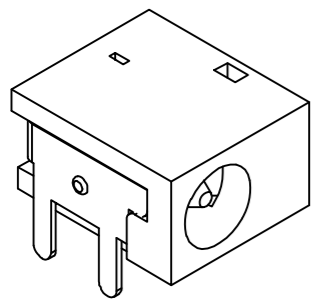
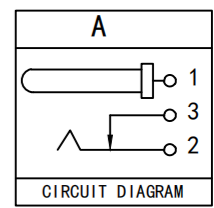


PCB HOLES (SOP VIEW) T=1.6mm
NOTE: GENERAL TOLERANCE: ±0.05mm

Model No.	C	E
CENTER PIN	∅1.0	∅1.3



DC MATE PLUG



- Technical requirements
1. Rated load: DC 30V 0.5A
 2. Contact resistance: ≤0.03 Ω
 3. Insulation resistance: ≥100 Ω DC250V
 4. Withstand voltage: AC 500V (50Hz)/min
 5. Insertion force: 3~20N
 6. Mechanical life: 5000 times

TOLERANCE		东莞市恒祺电子科技有限公司 Dongguan Hengqi Electronic Technology Co., Ltd	
X. XXX	±0.05	https://www.hq-dz.com phone:15812872448	
X. XX	±0.15	TITLE: DC电源插座	
X. X	±0.20	PART NO:DC-033A	
X.	±0.30	DRAWING NO:9.3*8*5.2	
ANGLE	±5.0°	DRAWN: DATE: 18-10-08 UNIT: mm	
PROTECTON 		CHECKED: DATE: 18-10-08 SCALE: FULL	DATE: 18-10-08
		APPROVED: DATE: 18-10-08	DATE: 18-10-08
		DATE: 18-10-08	DATE: 18-10-08

A
B
C
D
E
F

A
B
C
D
E
F

1 2 3 4 5 6 7 8