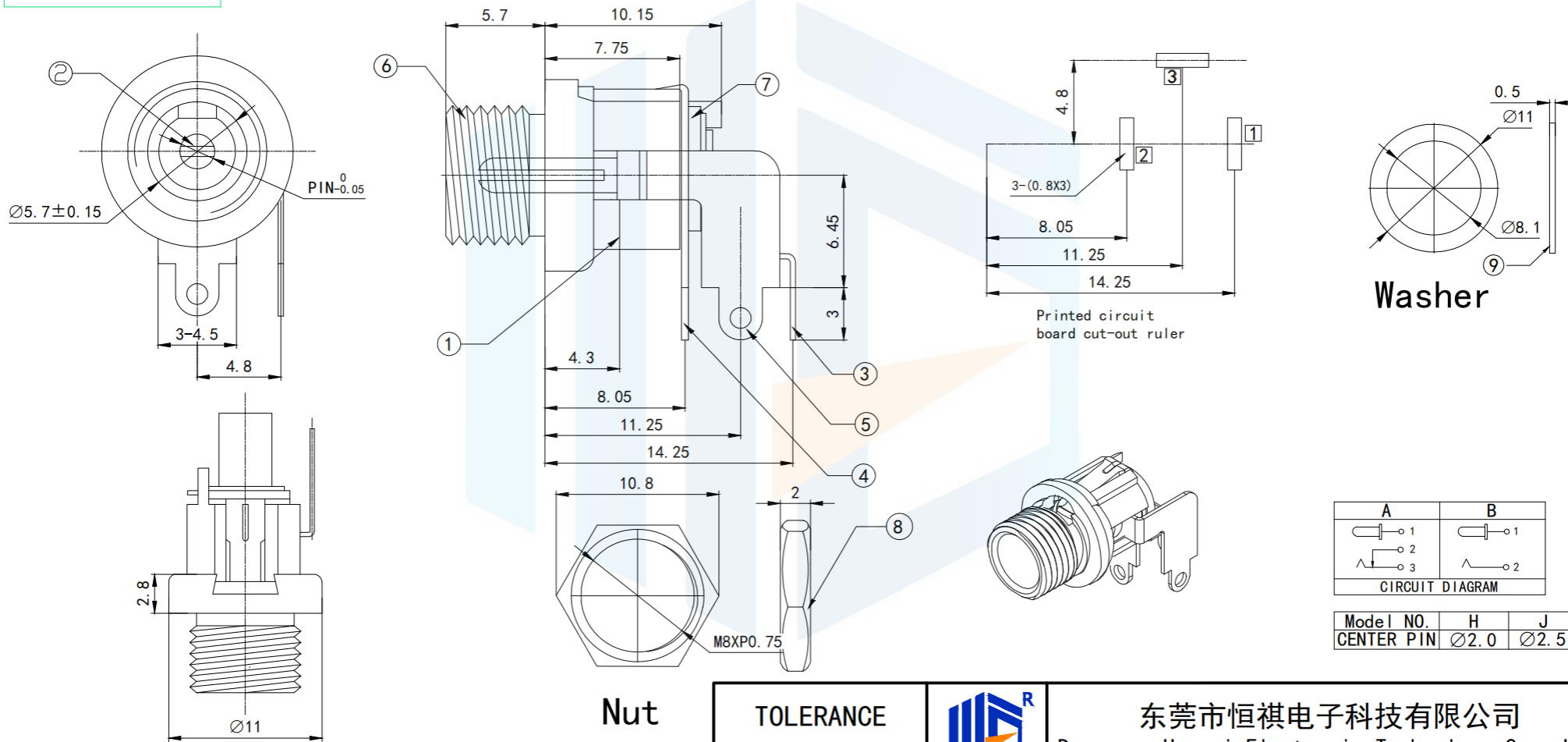



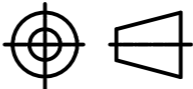
RoHS2.0  
Compliant



Technical requirements

1. Rated load: DC 30V 0.5A
2. Contact resistance:  $\leq 0.03 \Omega$
3. Insulation resistance:  $\geq 100 \Omega$  DC250V
4. Withstand voltage: AC 500V (50Hz)/min
5. Insertion force: 3~20N
6. Mechanical life: 5000 times

Nut

TOLERANCE		 东莞市恒祺电子科技有限公司 Dongguan Hengqi Electronic Technology Co., Ltd		
X. XXX	±0.05			
X. XX	±0.15	<a href="https://www.hq-dz.com">https://www.hq-dz.com</a> phone:15812872448		
X. X	±0.20	TITLE: DC电源插座		
X.	±0.30	PART NO:DC-025W		
ANGLE	±5.0°	DRAWING NO:14.25*10.15*5.7		
PROTECTON		DRAWN:	DATE: 18-10-08	UNIT: mm
		CHECKED:	DATE: 18-10-08	SCALE: FULL
		APPROVED:	DATE: 18-10-08	SIZE: A4