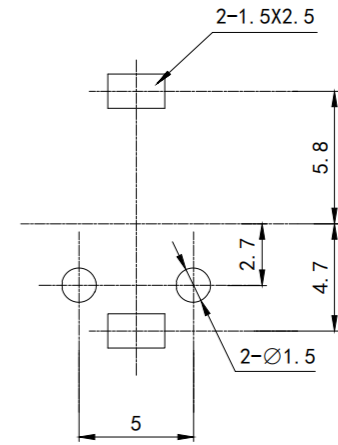
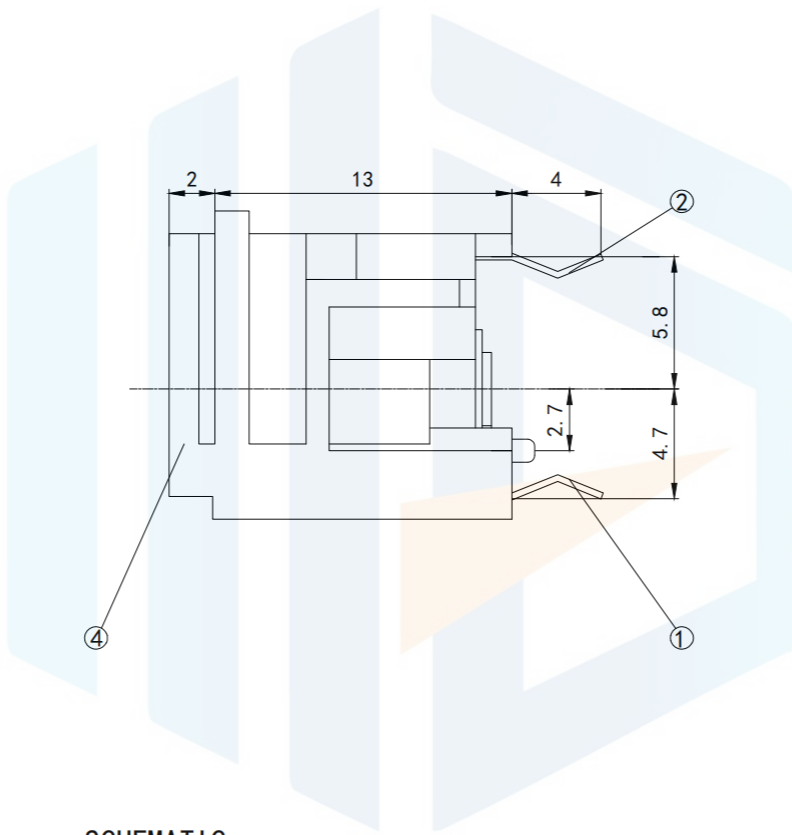
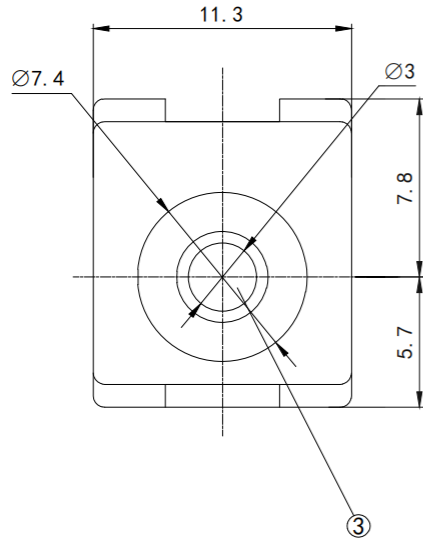


RoHS2.0
Compliant



Printed circuit board cut-out ruler

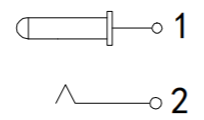
Main technical requirements:

1. No Linear Tolerance:
0.0-10.0mm ±0.10mm
10.0-20.0mm ±0.15mm
20.0-50.0mm ±0.20mm
2. The appearance should be good, without rust, cracks, poor electroplating and other phenomena.

Technical requirements

1. Rated load: DC 50V 0.2A
2. Contact resistance: ≤0.03 Ω
3. Insulation resistance: ≥100 Ω DC250V
4. Withstand voltage: AC 500V (50Hz)/min
5. Insertion force: 3~20N
6. Mechanical life: 5000 times

SCHEMATIC



TOLERANCE			东莞市恒祺电子科技有限公司 Dongguan Hengqi Electronic Technology Co., Ltd			
X. XXX	±0.05					
X. XX	±0.15	https://www.hq-dz.com			phone:15812872448	
X. X	±0.20	TITLE: DC电源插座		PART NO:DC-024		
X.	±0.30			DRAWING NO:13*13.5*11.3		
ANGLE	±5.0°	DRAWN:		DATE:	18-10-08	UNIT: mm
PROTECTON 		CHECKED:		DATE:	18-10-08	SCALE: FULL
		APPROVED:		DATE:	18-10-08	SIZE: A4