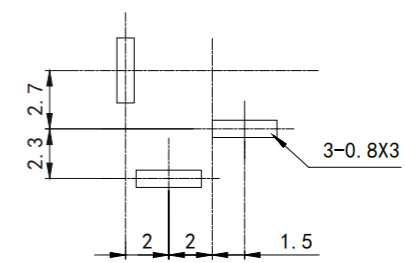
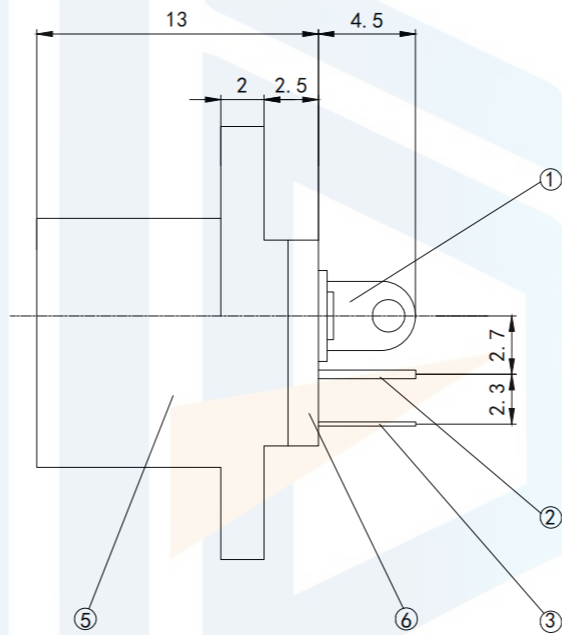
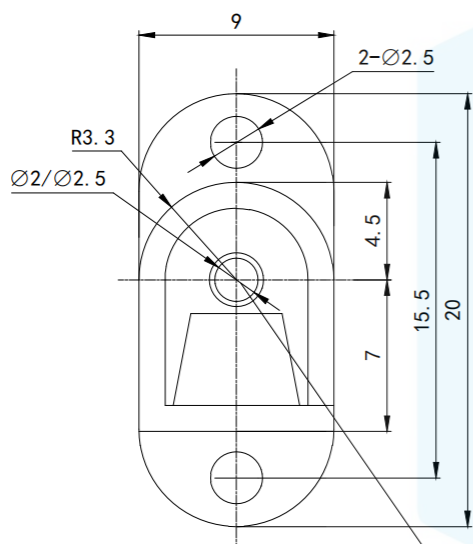


RoHS2.0
Compliant



Printed circuit board cut-out ruler

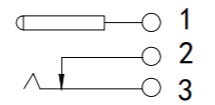
Main technical requirements:

1. No Linear Tolerance:
0.0-10.0mm ±0.10mm
10.0-20.0mm ±0.15mm
20.0-50.0mm ±0.20mm


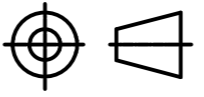
2. The appearance should be good, without rust, cracks, poor electroplating and other phenomena.

Technical requirements

1. Rated load: DC 30V 0.2A
2. Contact resistance: ≤0.03 Ω
3. Insulation resistance: ≥100Ω DC250V
4. Withstand voltage: AC 500V (50Hz)/min
5. Insertion force: 3~20N
6. Mechanical life: 5000 times



CIRCUIT DIAGRAM

TOLERANCE X. XXX ±0.05 X. XX ±0.15 X. X ±0.20 X. ±0.30 ANGLE ±5.0°	 东莞市恒祺电子科技有限公司 Dongguan Hengqi Electronic Technology Co., Ltd	
	https://www.hq-dz.com phone:15812872448	
PROTECTON 	TITLE: DC电源插座	
	PART NO: DC-016	
	DRAWING NO: 13*20*9	
DRAWN:	DATE: 18-10-08	UNIT: mm
CHECKED:	DATE: 18-10-08	SCALE: FULL
APPROVED:	DATE: 18-10-08	SIZE: A4