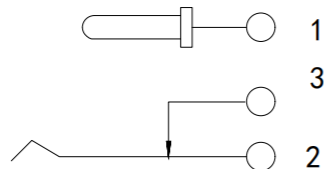
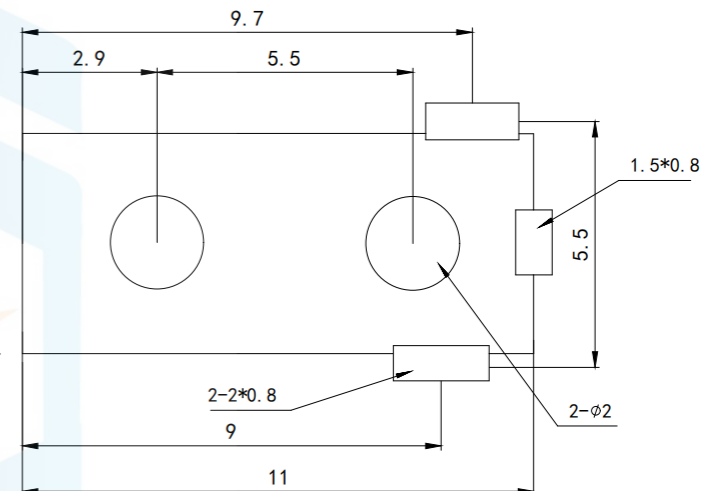
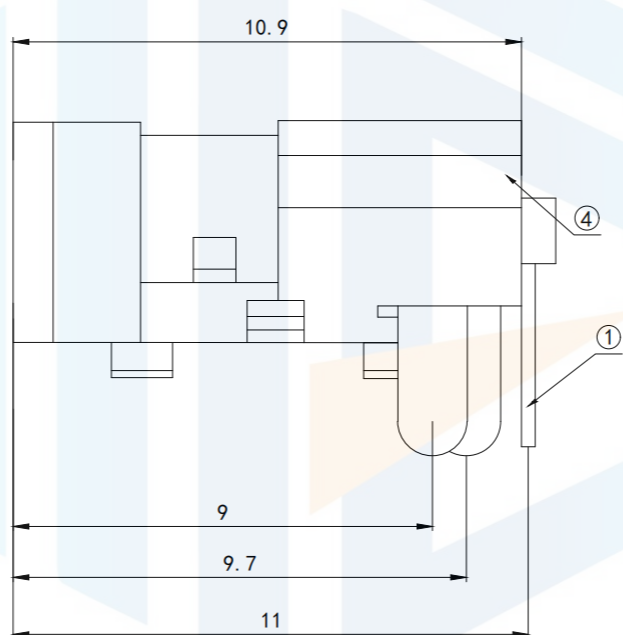
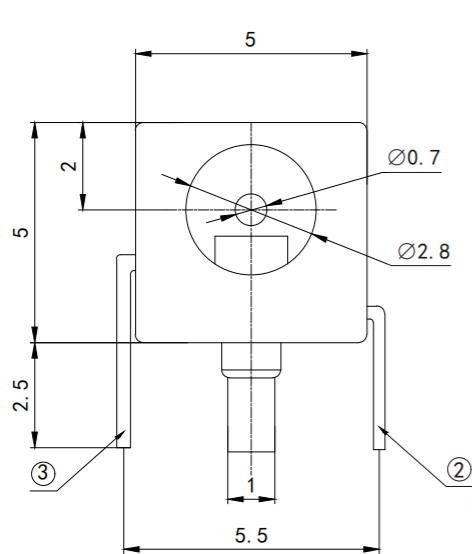


RoHS2.0
Compliant



CIRCUIT DIAGRAM

| | | |
|---------------------------------------|------------|-------------|
| TOLERANCE: UNLESS OTHERWISE SPECIFIED | | |
| UNOER 1.5±0.1 | 1.5~10±0.1 | OVER 10±0.2 |

| | | | |
|--|-------------------------|--|-----------------------------|
| TOLERANCE X. XXX ±0.05 X. XX ±0.15 X. X ±0.20 X. ±0.30 ANGLE ±5.0° | | 东莞市恒祺电子科技有限公司 Dongguan Hengqi Electronic Technology Co., Ltd | |
| | | https://www.hq-dz.com phone: 15812872448 | |
| PROTECTON | TITLE: DC电源插座 | | PART NO: DC-011 |
| | DRAWN: | | DRAWING NO: 10.9*5*5 |
| | CHECKED: | DATE: 18-10-08 | UNIT: mm |
| APPROVED: | DATE: 18-10-08 | SCALE: FULL | SIZE: A4 |