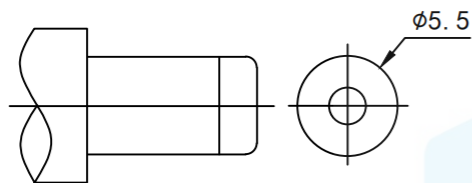
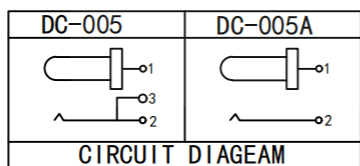
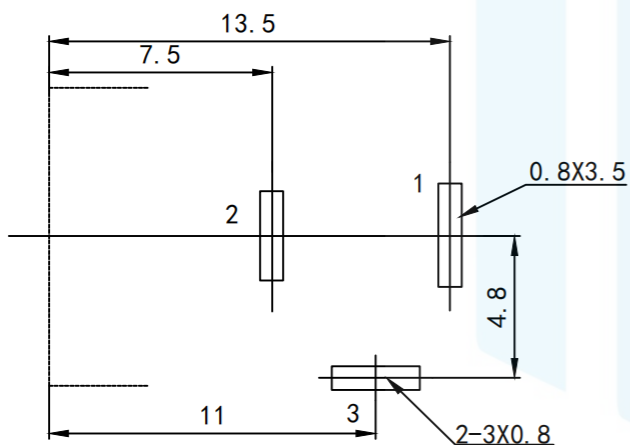


RoHS2.0
Compliant



DC MATE PLUG



Rating: 0.5A 30V DC

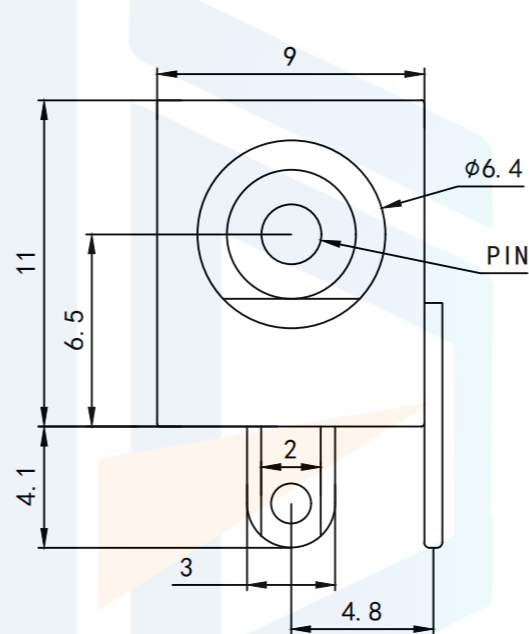
Contact

Resistance: 100 mΩ Max. Operating

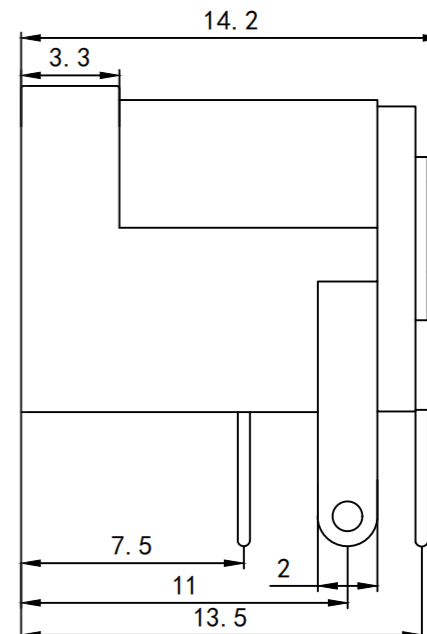
temperature: -20°C ~ 70°C

Operating force: 3-20N

Operating Life: 5,000 cycles



P.C.B LAYOUT (Copper-side view)

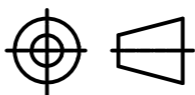


| | | | |
|-----------|----|-------|------|
| Model No. | 1 | 2 | 3 |
| PIN | φ2 | φ2.35 | φ2.5 |

TOLERANCE

| | |
|--------|-------|
| X. XXX | ±0.05 |
| X. XX | ±0.15 |
| X. X | ±0.20 |
| X. | ±0.30 |
| ANGLE | ±5.0° |

PROTECTON



东莞市恒祺电子科技有限公司

Dongguan Hengqi Electronic Technology Co., Ltd

<https://www.hq-dz.com>

phone: 15812872448

TITLE:

DC电源插座

PART NO: DC-005

DRAWING NO: 14.2*9*11

DRAWN:

CHECKED:

APPROVED:

DATE:

DATE:

DATE:

18-10-08

18-10-08

18-10-08

UNIT: mm
SCALE: FULL
SIZE: A4