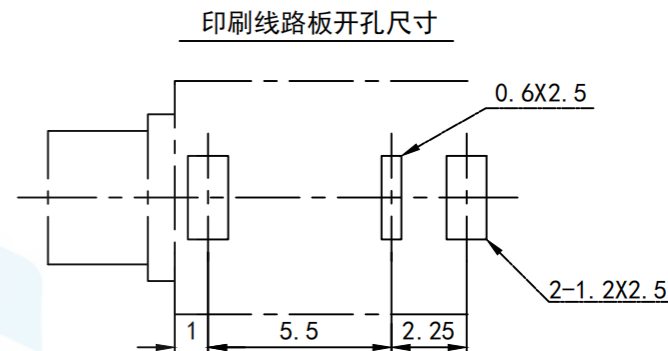
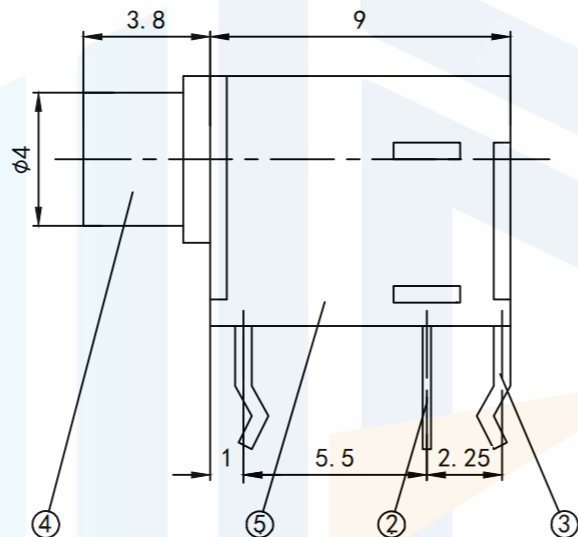
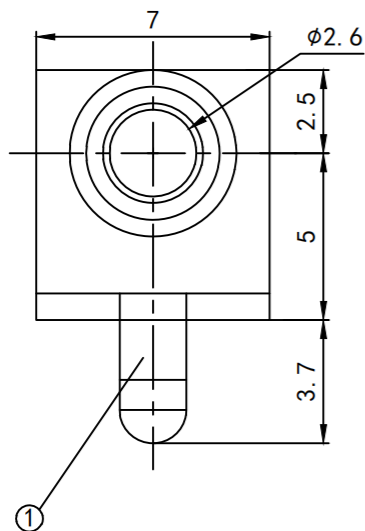
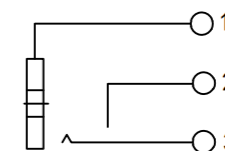


RoHS2.0
Compliant



按点示意图



Technical requirement

1. Rated electrical load: 30V.0.2A
2. Contact resistance: $\leq 0.03\Omega$
3. Insulation resistance: $\geq 100M\Omega$
4. Withstand voltage: AC250V(50HZ)/min
5. Insertion and withdrawal force: 3-10N
6. Life: 5000 times

Main technical requirements

1. No linear tolerance is specified
 0.0-10.0mm $\pm 0.10mm$
 10-20mm $\pm 0.15mm$
 20-50mm $\pm 0.20mm$
2. Appearance should be good, no corrosion, cracks, poor plating and other phenomena

TOLERANCE			东莞市恒祺电子科技有限公司 Dongguan Hengqi Electronic Technology Co., Ltd		
X. XXX	± 0.05		https://www.hq-dz.com phone:15812872448		
X. XX	± 0.15	TITLE: 耳机插座		PART NO: PJ-206	
X. X	± 0.20			DRAWING NO: 12.8*7.5*7	
X.	± 0.30	DRAWN:		DATE:	18-10-08
ANGLE	$\pm 5.0^\circ$	CHECKED:		DATE:	18-10-08
PROTECTON 		APPROVED:		DATE:	18-10-08
				UNIT:	mm
				SCALE:	FULL
				SIZE:	A4