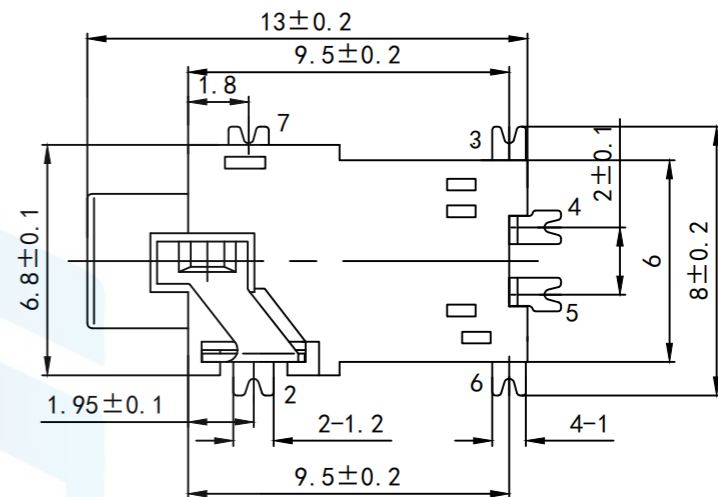
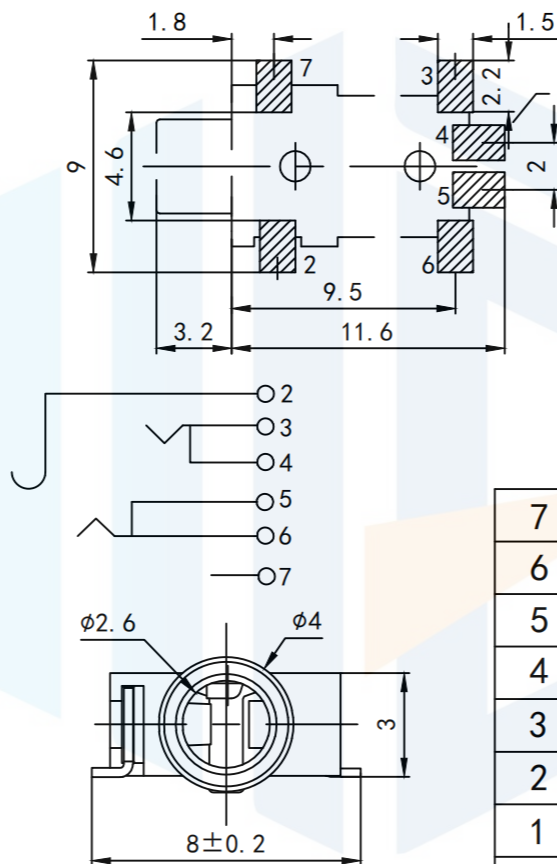
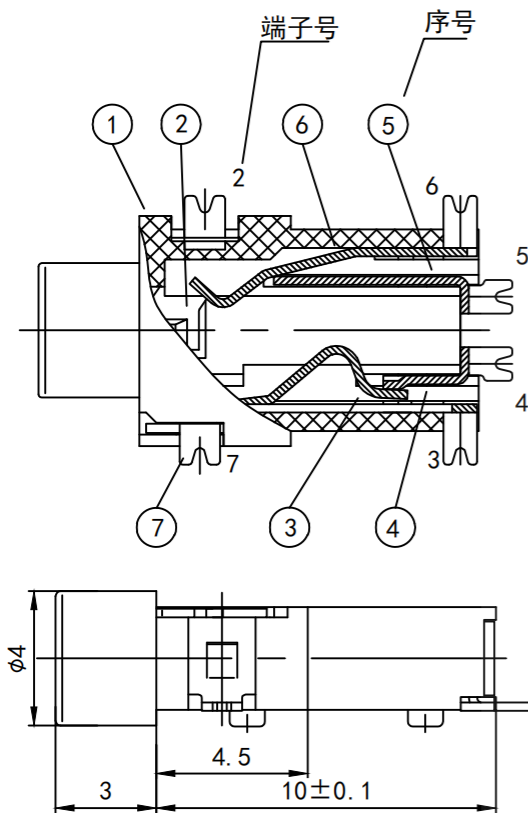


RoHS2.0
Compliant



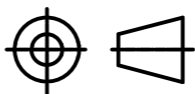
序号	零件名称	数量	材料	电镀	备注
7	固定端子	1	H65黄铜 t:0.28mm	Ag	
6	左簧片端子	1	镀黄铜 t:0.25mm	Ag	
5	左定片端子	1	QSn6.5-0.1 t:0.25mm	Ag	
4	右定片端子	1	QSn6.5-0.1 t:0.25mm	Ag	
3	右簧片端子	1	QSn6.5-0.1 t:0.25mm	Ag	
2	上接触端子	1	QSn6.5-0.1 t:0.25mm	Ag	
1	基座	1	PPA		黑色

Technical features:
 Operating conditions: $-30\sim 70^{\circ}$
 Rated load: DC30V 0.5A
 Contact resistance: $<0.03\Omega$
 Insulation resistance: $>100M\Omega$ DC250V
 Voltage: AC500V (50Hz)/min
 Insertion and removal force: $3\sim 20N$
 Lifetime: 5000 times

TOLERANCE

X. XXX	± 0.05
X. XX	± 0.15
X. X	± 0.20
X.	± 0.30
ANGLE	$\pm 5.0^{\circ}$

PROTECTON



东莞市恒祺电子科技有限公司
 Dongguan Hengqi Electronic Technology Co., Ltd

<https://www.hq-dz.com>

phone: 15812872448

TITLE:

耳机插座

PART NO: PJ-228

DRAWING NO: 13*6.8*3

DRAWN:

DATE:

18-10-08

UNIT:
mm

CHECKED:

DATE:

18-10-08

SCALE:
FULL

APPROVED:

DATE:

18-10-08

SIZE:
A4