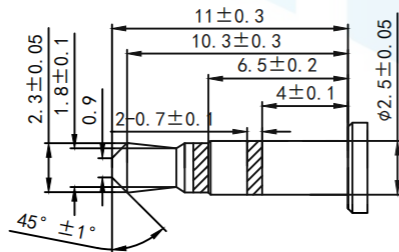
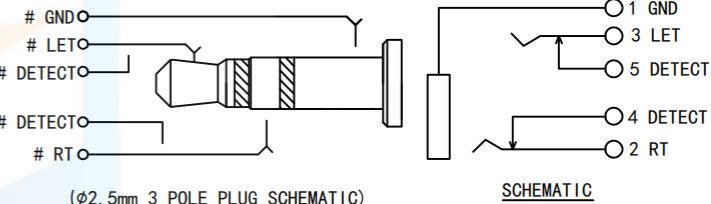
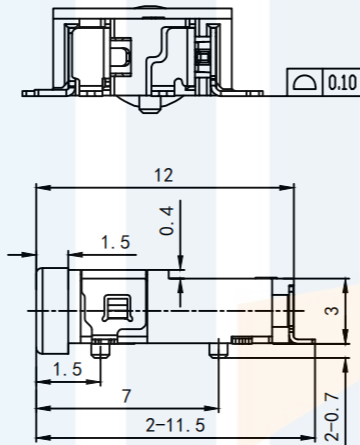
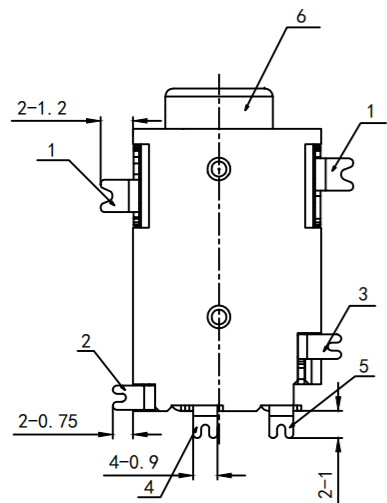
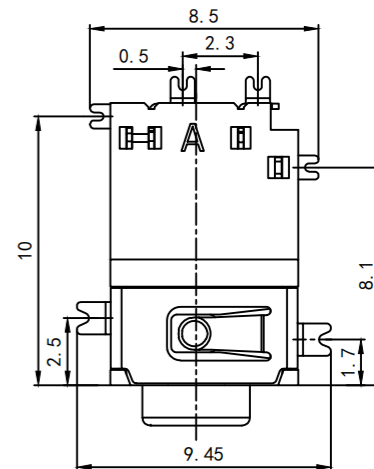
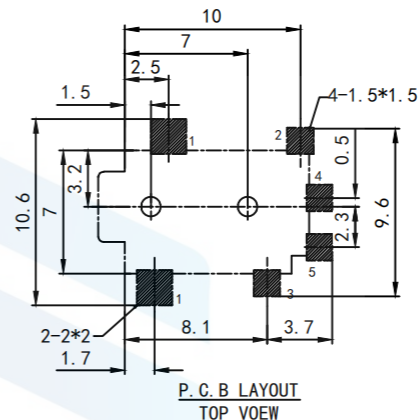
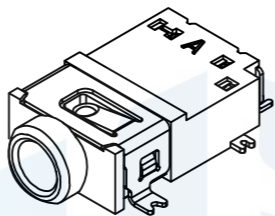
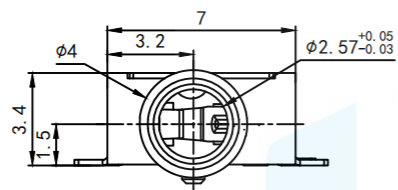


RoHS2.0
Compliant



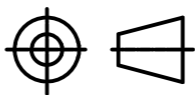
6	HOUSING	1	HIGHT TEMPERATURE PLASTIC COLOR BLACK
5	TERMINAL 5#	1	COPPER ALLOY;THE BOTTOM OF THE NICKEL;THE WHOLE SILVER PLATONG
4	TERMINAL 4#	1	COPPER ALLOY;THE BOTTOM OF THE NICKEL;THE WHOLE SILVER PLATONG
3	TERMINAL 3#	1	COPPER ALLOY;THE BOTTOM OF THE NICKEL;THE WHOLE SILVER PLATONG
2	TERMINAL 2#	1	COPPER ALLOY;THE BOTTOM OF THE NICKEL;THE WHOLE SILVER PLATONG
1	TERMINAL 1#	1	COPPER ALLOY;THE BOTTOM OF THE NICKEL;THE WHOLE SILVER PLATONG
ITEM	NAME	QTY	COPPER ALLOY;THE BOTTOM OF THE NICKEL;THE WHOLE SILVER PLATONG

Main technical performance
Rated electric load DC 30V \0.5A
Contact resistance S0.03Ω
Insulation resistance 2100MΩ
Withstand voltage AC500V (50Hz)/min
Insertion and withdrawal force 3-20N
Operating temperature range -30-70°C
Service life 5000 times

TOLERANCE

X. XXX	±0.05
X. XX	±0.15
X. X	±0.20
X.	±0.30
ANGLE	±5.0°

PROTECTON



东莞市恒祺电子科技有限公司
Dongguan Hengqi Electronic Technology Co., Ltd

<https://www.hq-dz.com>

phone:15812872448

TITLE:

耳机插座

PART NO: PJ-224-6P

DRAWING NO: 12*7*3.4

DRAWN:

DATE:

18-10-08

UNIT:
mm

CHECKED:

DATE:

18-10-08

SCALE:
FULL

APPROVED:

DATE:

18-10-08

SIZE:
A4