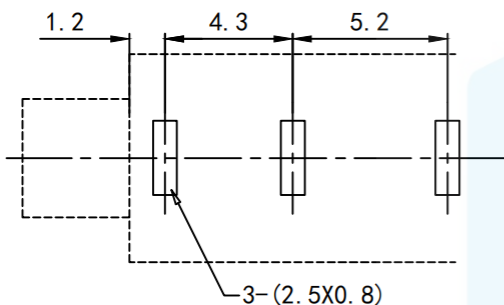
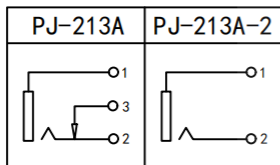


RoHS2.0
Compliant

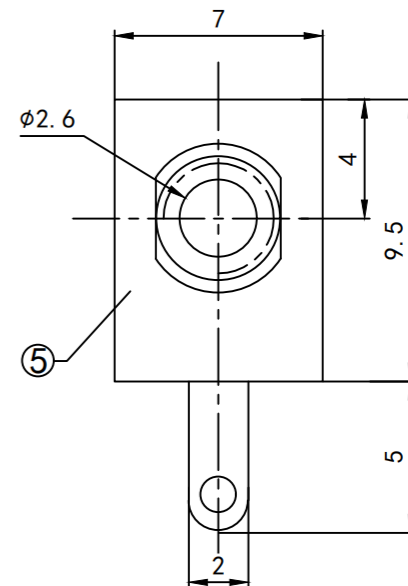
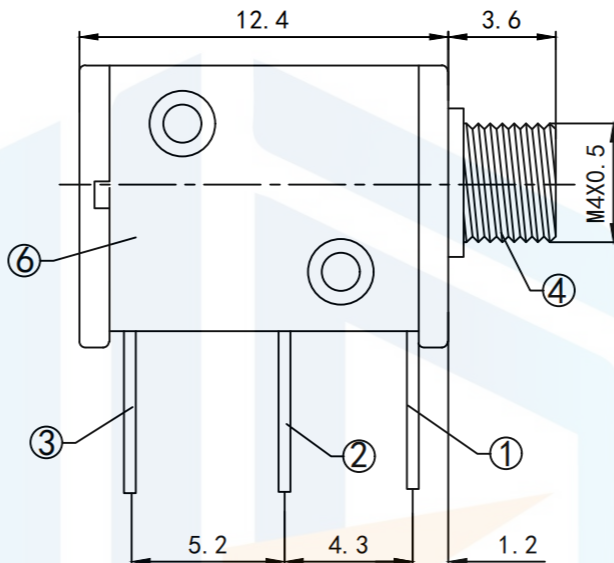


SCHEMATIC



PECIFICATION

1. Rating DC 30V 0.5A
2. Contact resistance <0.03Ω
3. Insulation resistance 100M Ω (DC250V)
4. Withstand voltage 500VAC
5. Insertion and extraction force 3-20N;
- 6 life test 5,000 cycles

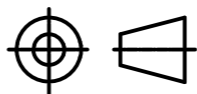


NO.	DESCRIPTION	QTY	MATERIAL	PLATING
6	COVER	1	PA66	
5	HOUSING	1	PA66	
4	AXIS SUPPORT	1	H59 BRASS	Ni-PLating
3	CURV PIECE	1	H62 BRASS	Cu-Sn-PLating
2	SPRING PIECE	1	PHOSPHOR BRONZE	Sn-Sb-PLating
1	FLAT PIECE	1	H62 BRASS	Cu-Sn-PLating

TOLERANCE

X. XXX	± 0.05
X. XX	± 0.15
X. X	± 0.20
X.	± 0.30
ANGLE	$\pm 5.0^\circ$

PROTECTON



东莞市恒祺电子科技有限公司

Dongguan Hengqi Electronic Technology Co., Ltd

<https://www.hq-dz.com>

phone: 15812872448

TITLE:

耳机插座

PART NO: PJ-213BM

DRAWING NO: 12.4*9.5*7

DRAWN:

CHECKED:

APPROVED:

DATE:

DATE:

DATE:

18-10-08

18-10-08

18-10-08

UNIT:
mm

SCALE:
FULL

SIZE:
A4