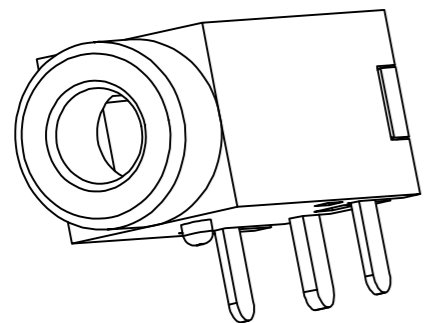
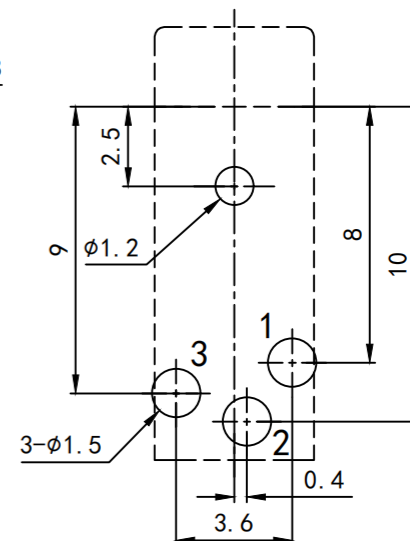
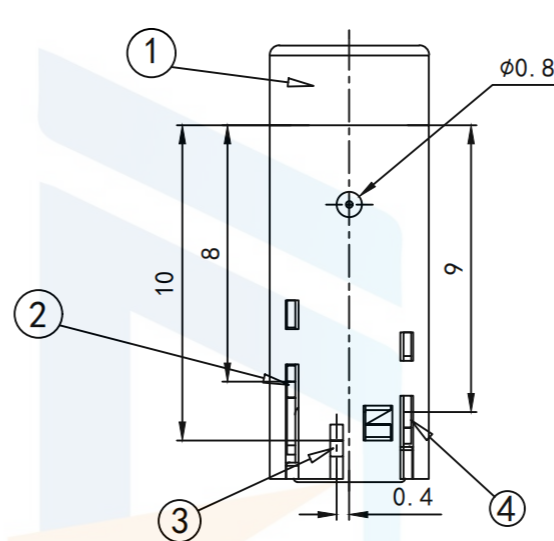
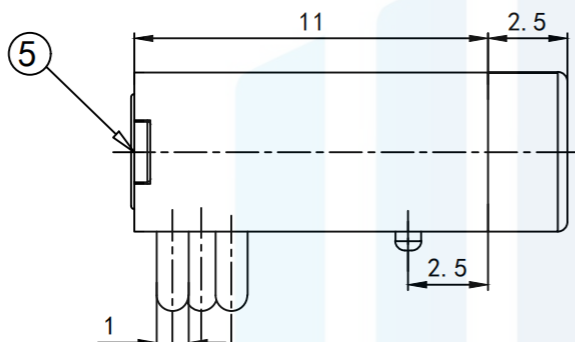
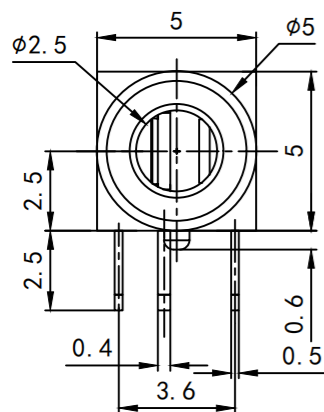
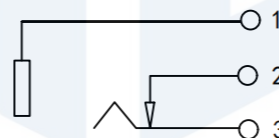


RoHS2.0
Compliant



电路原理图



5	后盖	1	PA66	黑
4	1# 弯片	1	QSn6. 5-0. 1锡青铜带8=0. 30mm	D. sn/Sb
3	中脚	1	H62 (Y) 黄铜带 8=0. 4mm	D. sn/Sb
2	3# 簧片	1	QSn6. 5-0. 1锡青铜带8=0. 30mm	D. sn/Sb
1	基座	1	PA66	黑
序号	名称	数量	材料	备注

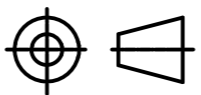
Technical features:

Operating conditions: $-30 \sim 70^{\circ}$
 Rated load: DC30V 0.5A
 Contact resistance: $<0.03 \Omega$
 Insulation resistance: $>100M \Omega$ DC250V
 Withstand voltage: AC500V (50Hz)/min
 Insertion and removal force: 3~20N
 Life: 5000 times

TOLERANCE

X. XXX	± 0.05
X. XX	± 0.15
X. X	± 0.20
X.	± 0.30
ANGLE	$\pm 5.0^{\circ}$

PROTECTON



东莞市恒祺电子科技有限公司

Dongguan Hengqi Electronic Technology Co., Ltd

<https://www.hq-dz.com>

phone:15812872448

TITLE:

耳机插座

PART NO: PJ-212

DRAWING NO: 13.5*5*5

DRAWN:

CHECKED:

APPROVED:

DATE:

DATE:

DATE:

18-10-08

18-10-08

18-10-08

UNIT:
mm

SCALE:
FULL

SIZE:
A4